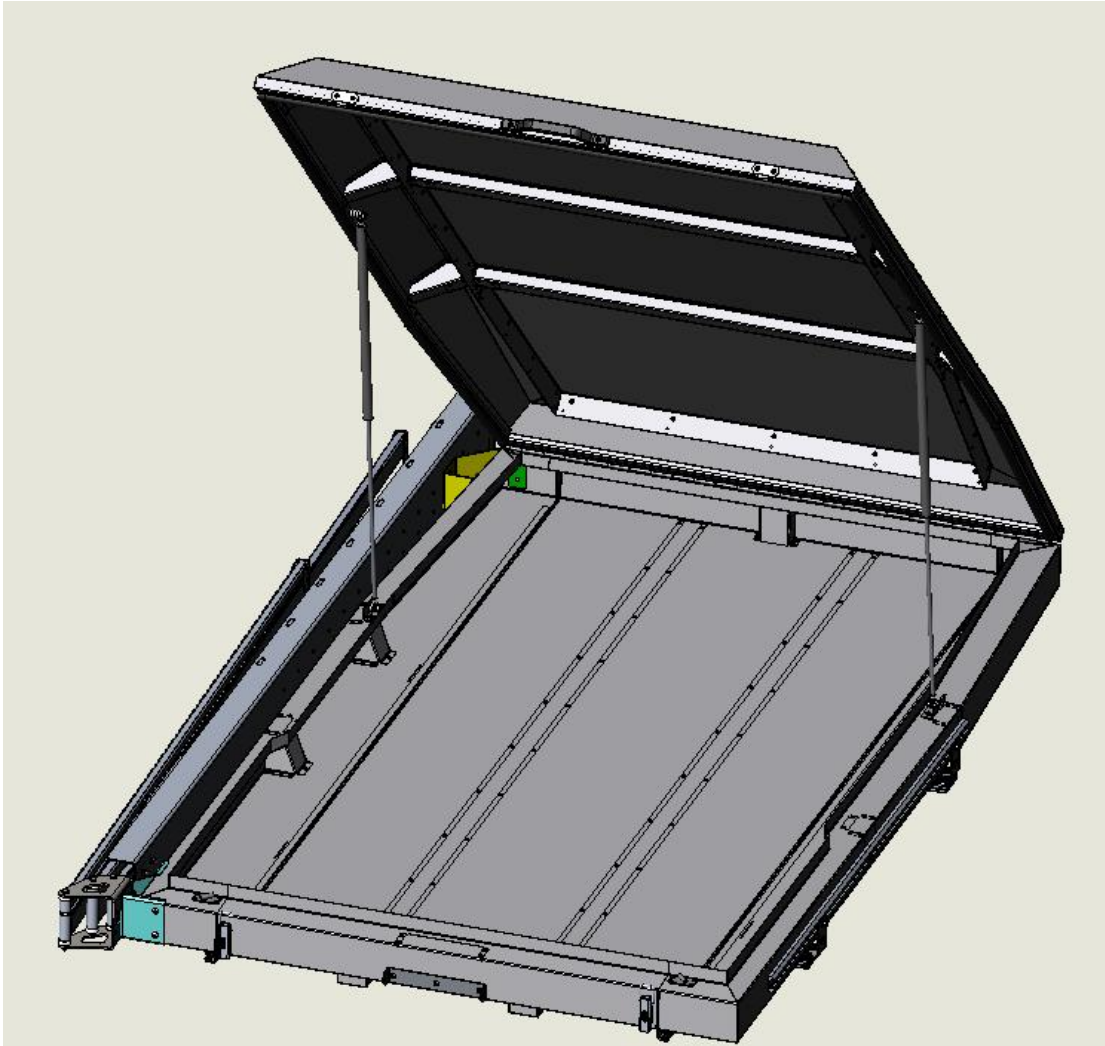


FITMENT INSTRUCTIONS

Alu-Cab™



Awning to Gen 3 Tent

All rights reserved. No part of this document may be reproduced, translated, stored in a retrieval system, or transmitted, in any form or by any means, electronic, mechanical, photocopying, recording or otherwise, without prior written permission of the owner.

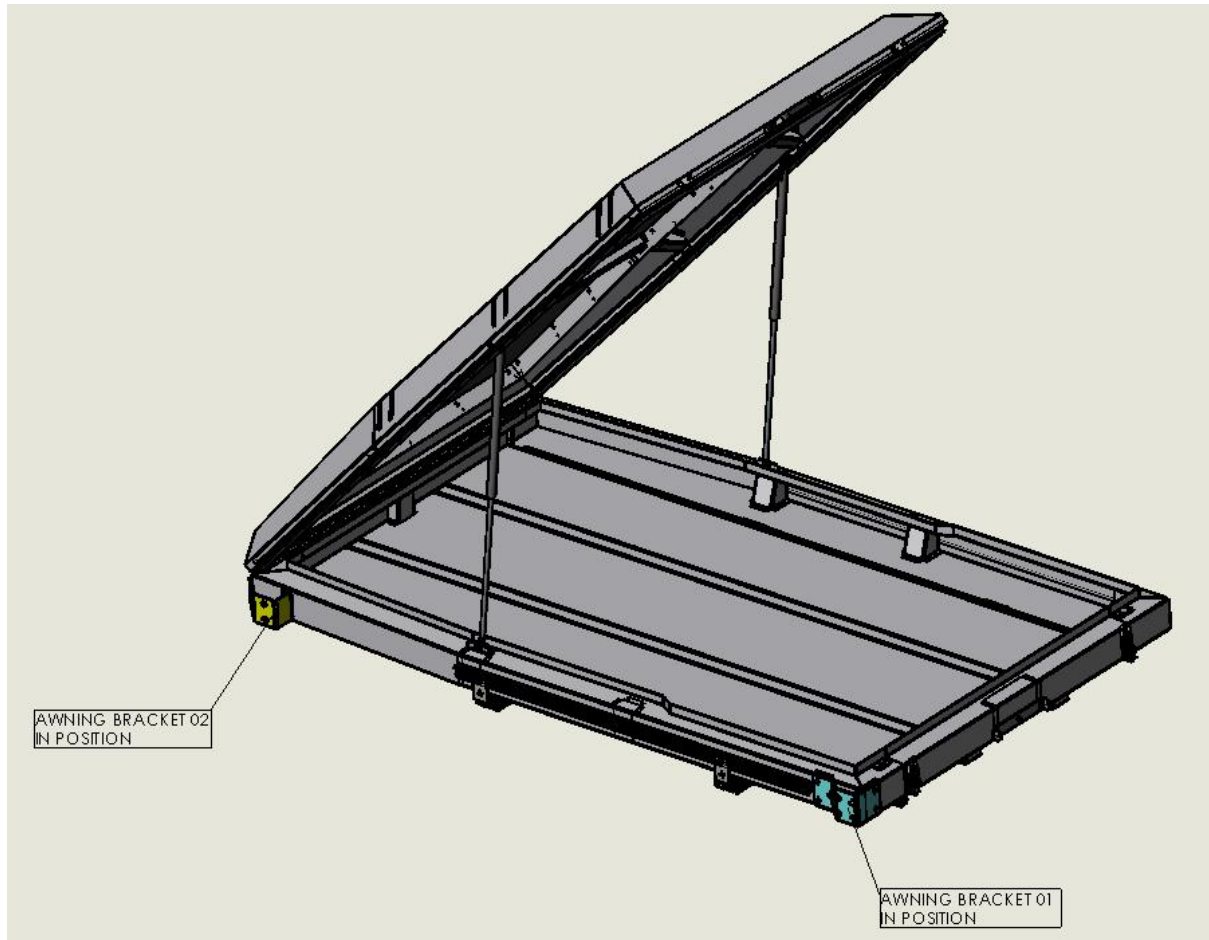
Review all instructions information carefully before installation.

Any damages, direct or incidental to the installer and/or property due to incorrect installation of any parts are the responsibility of the installer. Due to the various applications and fitment options available, the responsibility lies with the user to ensure all mounting points are secure and tight before every trip. If unsure, consult with your Distributor regarding the operations of our products.

Users are advised to be mindful of the load they are carrying and drive in accordance with road conditions.

DISCLAIMER

Alu-Cab



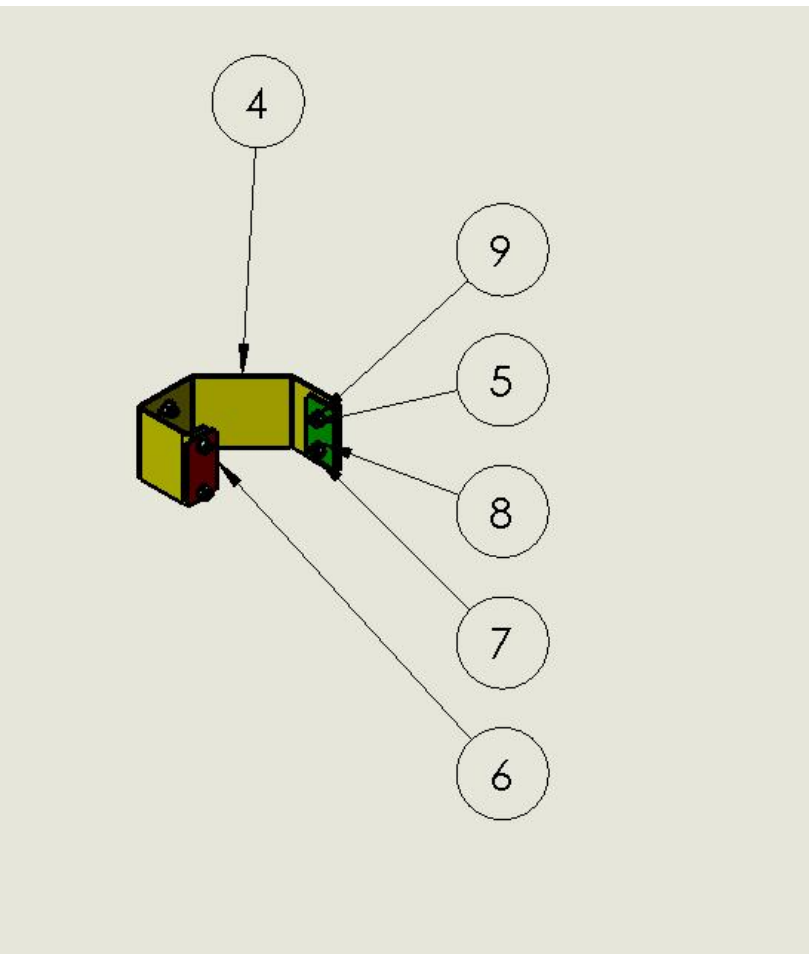
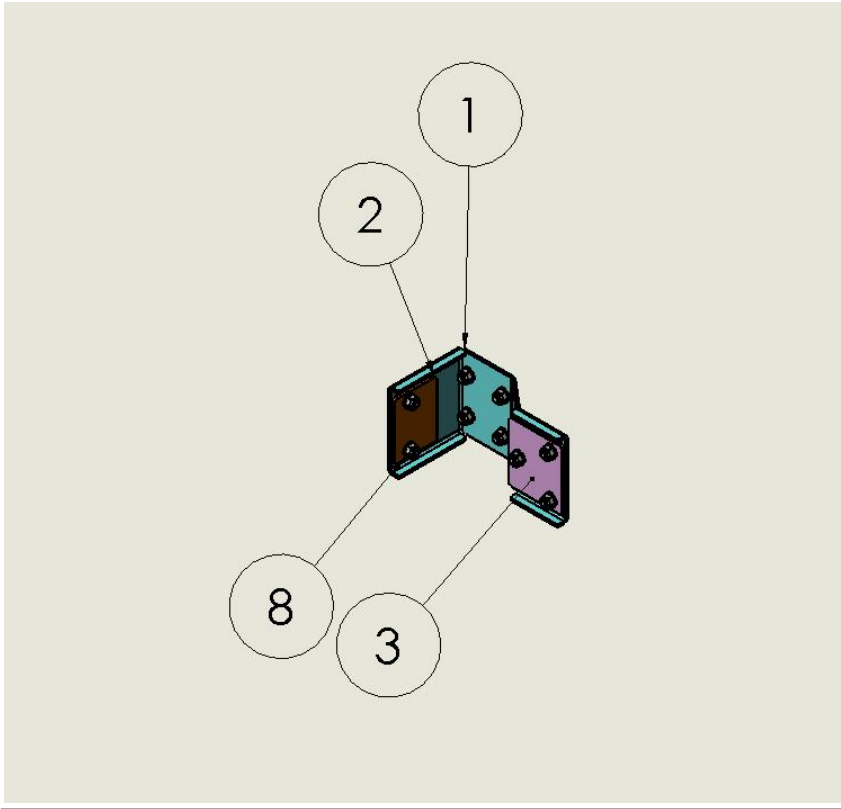
LIST OF COMPONENTS:

ITEM NO.	NUMBER	DISCRIPTION	QTY.
1	AWN-BKT-01-001	AWNING BRACKET 01	1
2	AWN-BKT-01-002	BACKING PLATE	1
3	AWN-BKT-01-003	BACKING PLATE	1
4	AWN-BKT-02-001	AWNING BRACKET 02	1
5	AWN-BKT-02-002	BACKING PLATE	1
6	AWN-BKT-02-003	BACKING PLATE	1
7	M8x20 BUTTON HEAD SCREW	M8x20 BUTTON HEAD SCREW	15
8	M8 FLAT WASHER	M8 FLAT WASHER	15
9	M8 NYLOCK NUT	M8 NYLOCK NUT	15

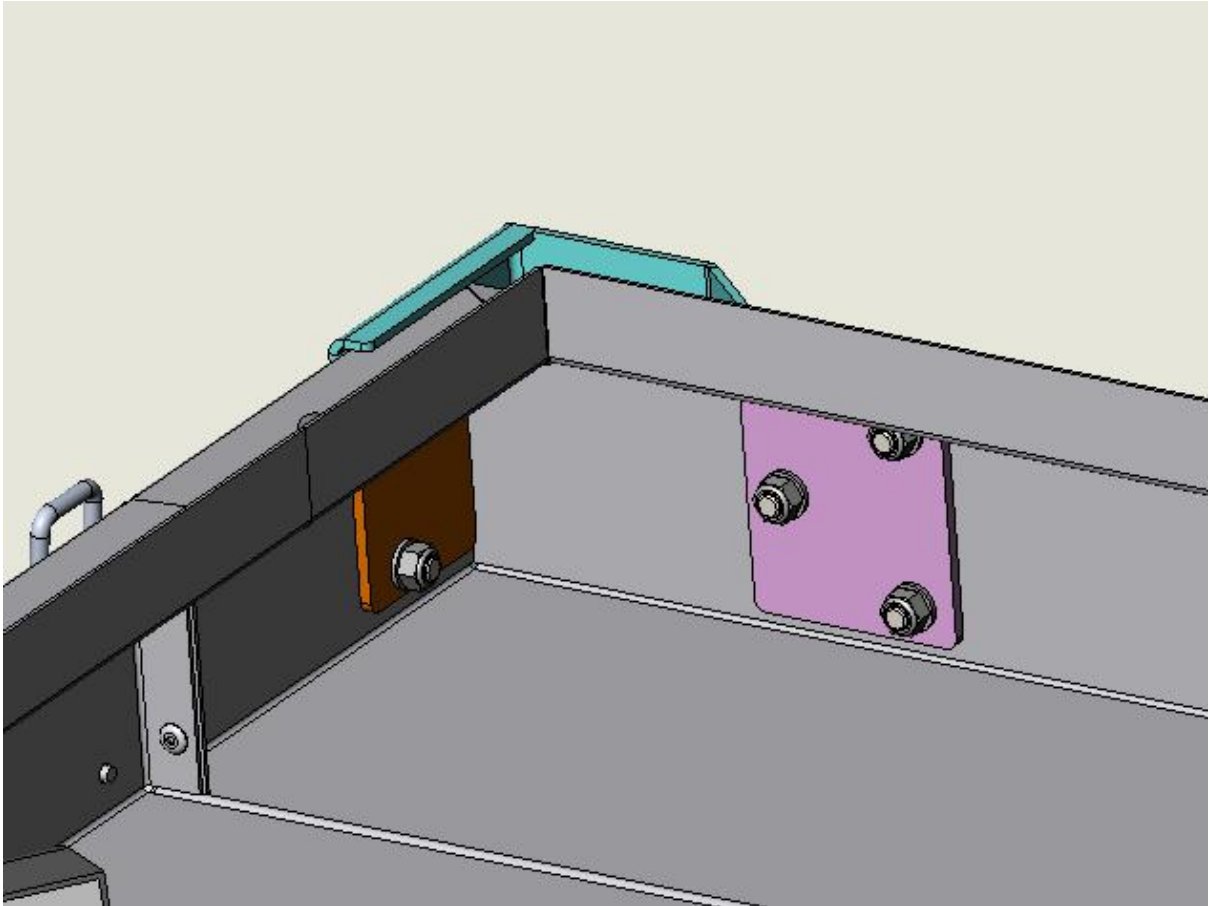


WARNING

Always wear appropriate PPE (Personal protection equipment) when fitting this product. Although the mounting kit is designed to be DIY, if you have any doubts or concerns, contact an accredited fitment centre to carry out the work. Alu-Cab will not be liable for any injury to persons, and/or damage to products and/or vehicles.



View showing bracket 01 bolted in position.



View showing bracket 02 bolted in position.

