



FITMENT INSTRUCTIONS

LT-50 ROOF LOAD BAR MOUNTING KIT (LOAD BAR FEET)

Installation Instructions

Preliminary information

Installation and fitment instructions includes the tools required, fasteners included in the kit, and the hardware included in the kit.

Please follow the instructions and check installation steps with the images in this document.

Alu-Cab recommends that all sealing work is allowed to cure for 24 hours, after which you may drive the vehicle on normal paved roads. Before driving off-road with your Alu-Cab product or operating your roof conversion, an additional cure period of 48 hours is required.

Failure to follow these instructions will void your warranty. Please ensure that you follow the sealant manufacturers curing time as per their technical data sheet.

These times may differ slightly from the times we have recommended.

Service Enquiries email
queries@alu-cab.com



Installation Instructions

Canopy Fitment – Tools, Fasteners & Hardware

1.1

Tools & Items Required

5mm ALLEN KEY
13mm SPANNER
SMALL FLAT SCREWDRIVER

1.3

Hardware Required: (Included with Load Bar Kit)

LW-LB-FEET-P001	4
LOAD BAR	2

1.2

Fasteners Supplied (included with Load Bar Kit)

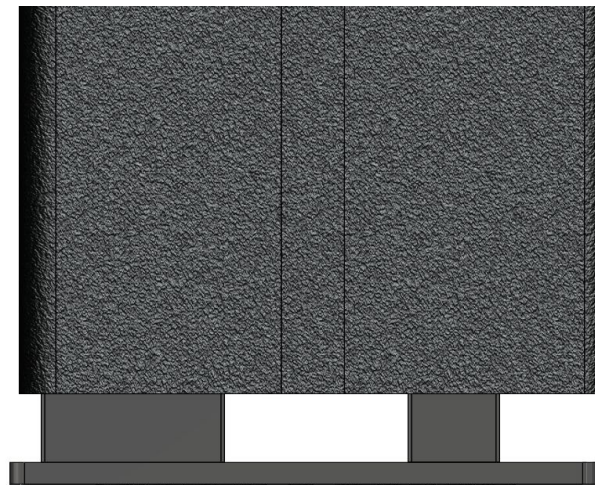
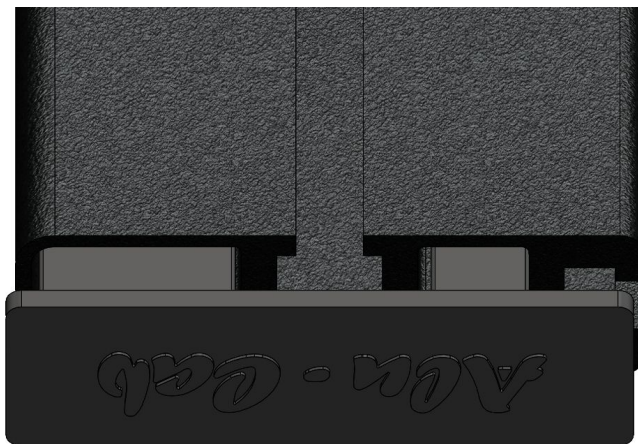
M8 SPRING WASHER	8
M8 FLAT WASHER	16
M8X20 B/HD BOLT S/S	8
M8X20 HEX HEAD BOLT S/S	8
M8 S/S NUT	8
M8 NYLOC NUT	6

Installation Instructions

2.1

Fitting the Load Bars to the Lightweight Tent:

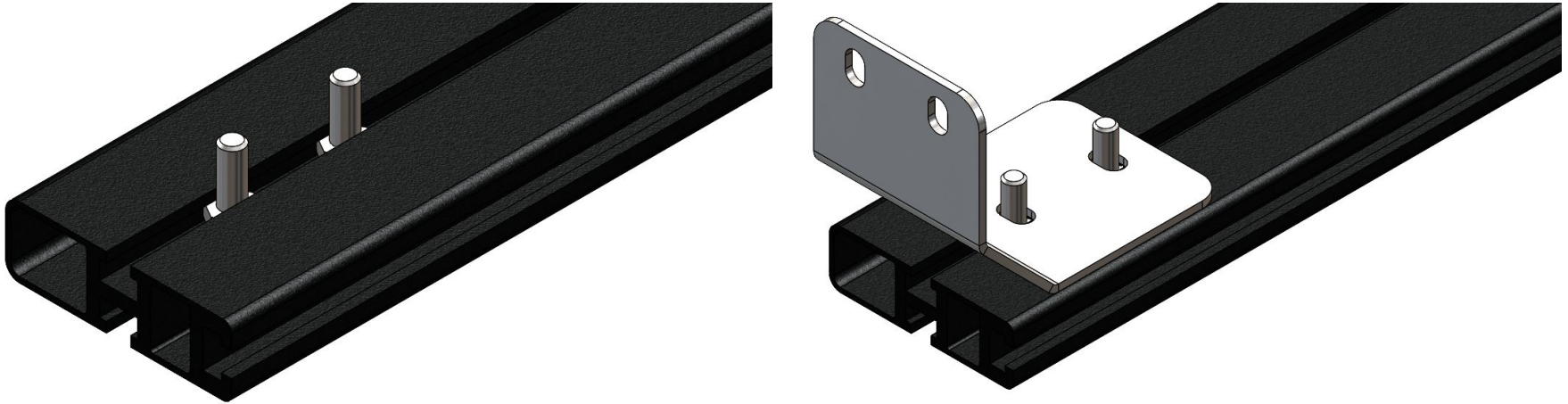
Remove the Plastic Cap from the end of the load bar using a small flat screwdriver.



Installation Instructions

2.2

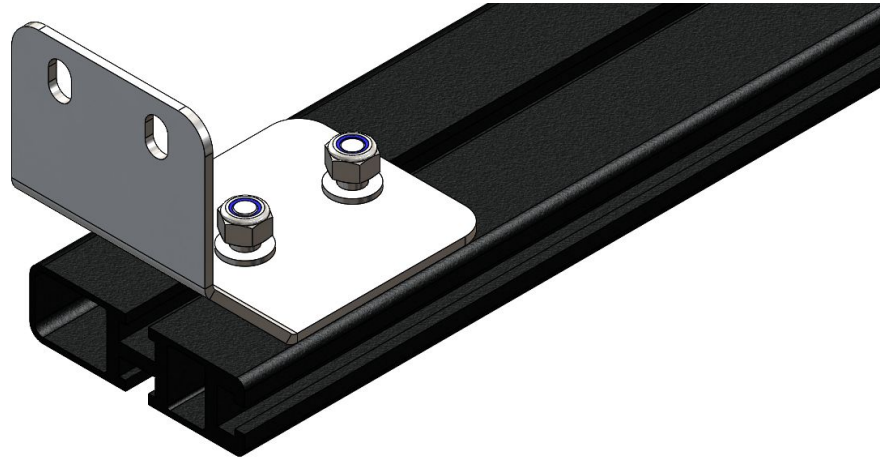
Slide 2 x M8 x 20 hex bolts into the Nutslot on the bottom of the load bar and fit one of the LW-LB-FEET-P001 bracket over the 2 bolts .



Installation Instructions

2.3

Place flat washers over the bolts and screw on 2 x M8 Nyloc nuts until they are hand tight.



Repeat steps 2.1 to 2.3 on other side of the load bar.

Installation Instructions

2.4

Measure 1200mm from the inside faces of the brackets as seen below, keeping the spacing between the outside face of the bracket and the end of the load bar equal on both sides.



Installation Instructions

2.5

You can now fasten down the nuts with a 13 mm spanner, put the nut caps on and reinsert the load bar end caps.



Repeat steps 2.1 to 2.5 on the second load bar.

Installation Instructions

2.6

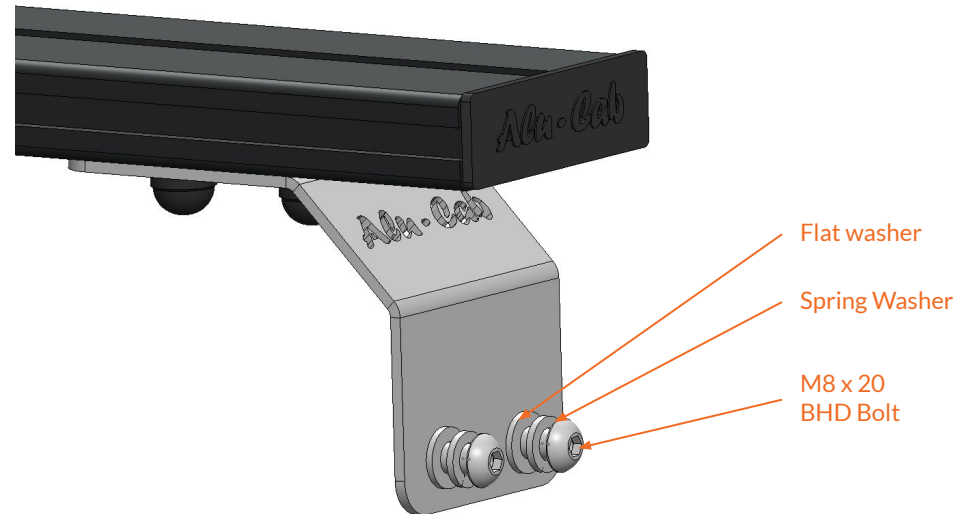
Insert 2 x M8 nuts per bracket into the nut slot on both sides of the lightweight tent lid in the locations in which you want the load bar positioned.



Installation Instructions

2.7

You can now locate the load bar in place and fasten down on both sides using the M8 x 20mm BHD bolts with spring washers and flat washers.



Installation Instructions

2.8

Repeat Steps 2.1 through 2.7 for the second load bar and you will have successfully fitted the load bars to the lightweight tent



Disclaimer

All rights reserved. No part of this website may be reproduced, translated, stored in a retrieval system, or transmitted, in any form or by any means, electronic, mechanical, photocopying, recording or otherwise, without prior written permission of the owner.

Review all instructions information carefully before installation.

Any damages, direct or incidental to the installer and/or property due to incorrect installation of any parts are the responsibility of the installer. Due to the various applications and fitment options available, the responsibility lies with the user to ensure all mounting points are secure and tight before every trip.

If unsure, consult with your Distributor regarding the operations of our products.

Users are advised to be mindful of the load they are carrying and drive in accordance with road conditions.

WARNING

Always wear appropriate PPE (Personal protection equipment) when fitting our products. Although the mounting kit is designed to be DIY, if you have any doubts or concerns, contact an accredited fitment centre to carry out the work. Alu-Cab will not be liable for any injury to persons, and/or damage to products and/or vehicles.

While Alu-Cab Holdings takes reasonable measures to ensure that the contents of this Website are accurate and complete, Alu-Cab Holdings makes no representations or warranties, whether express or implied, as to the quality, timeliness, operation, integrity, availability or functionality of this Website or as to the accuracy, completeness or reliability of any information on this Website. Alu-Cab Holdings reserves the right to make changes, corrections and/or improvements to the information and to the products and programs described in such information, at any time without notice.

Alu-Cab Holdings will use reasonable endeavours to maintain the availability of the Website, except during scheduled maintenance periods, and reserves the right to discontinue providing the Website or the service or any part thereof with or without notice to you. Any person who accesses this Website or relies on this Website or on the information contained in this Website does so at his or her own risk.

Occasionally, at our discretion, we may include or offer third-party products or services on our website. These third-party sites have separate and independent privacy policies. We therefore have no responsibility or liability for the content and activities of these linked sites. Nonetheless, we seek to protect the integrity of our site and welcome any feedback about these sites.