

ARB INTREPID

SLIMLINE ALUMINIUM ROOFTOP TENT

INSTALLATION GUIDE & USER MANUAL

TABLE OF CONTENTS:

ROOFTOP TENTS	02
ACCESSORIES	26
CROSS MOUNT	29

ROOFTOP TENTS

2.0	2.5	3.0
-----	-----	-----



TABLE OF CONTENTS

TENT COMPONENTS.....	3
HARDWARE COMPONENTS	4
CROSSBAR OR PLATFORM SETUP	5
DIMENSIONS AND SPECS.....	6
TENT INSTALLATION.....	10
INSTALLING RAIL COMPONENTS.....	12
HOW TO OPEN	13
HOW TO MANAGE GEOMETRIC DOOR.....	14
SET UP INSIDE THE TENT.....	15
INSTALLING AWNING WIRE KITS.....	17
INSTALLING HEATING VENT.....	18
HOW TO CLOSE	19
WIDE FOOT LADDER	22
TENT CARE AND SAFETY	25



WARNING



Do not operate the tent near an open flame or heat source nor use any product that burns fuel in the tent.

At all times, take precautions that there are no flames, or other heat sources, near the tent fabric or mattress. Neither the tent nor the mattress are fire retardant.

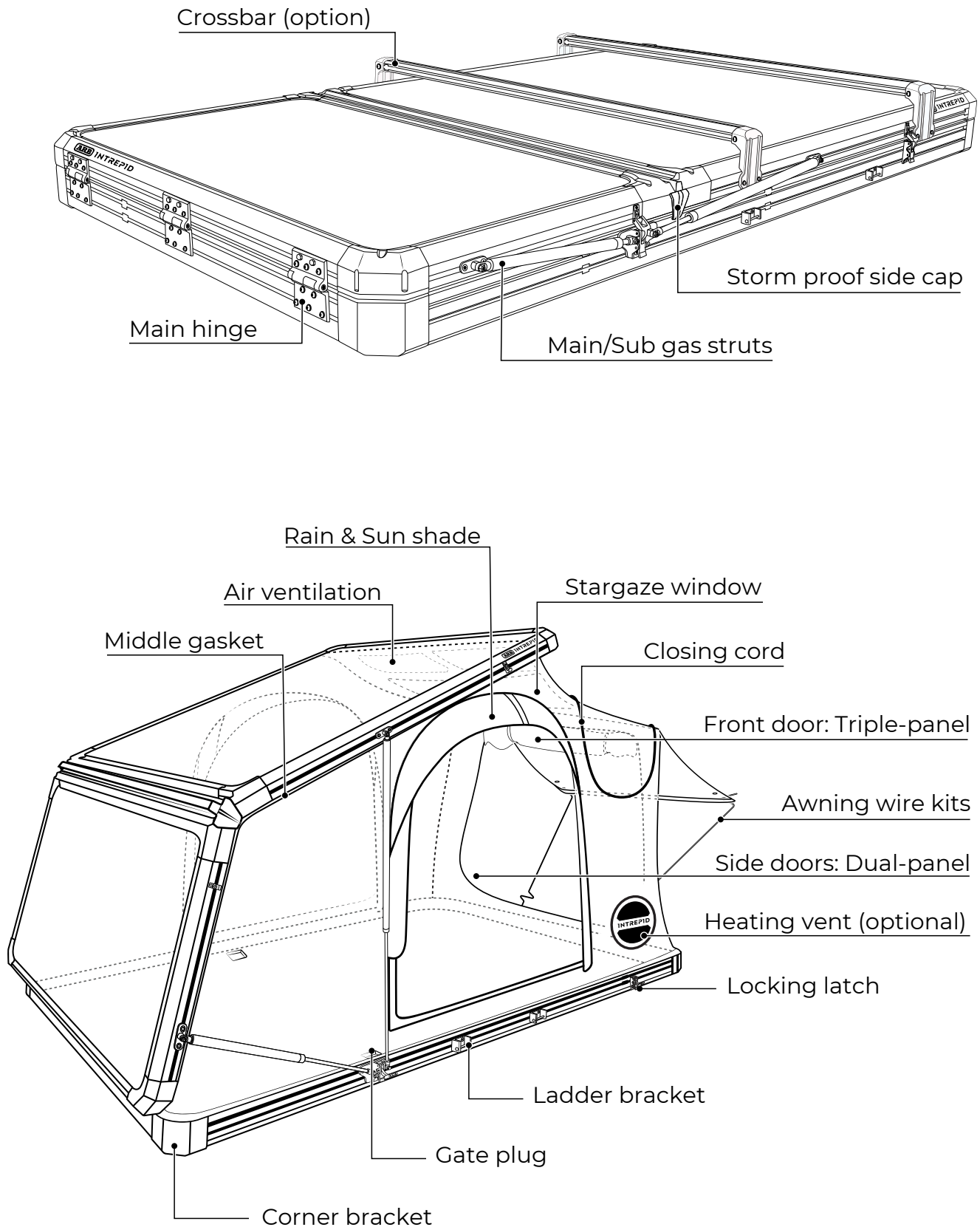


Deadly fumes produced by stoves, lanterns, grill, heaters, or fire pits can build up inside of the tent and cause potential illness or even death.



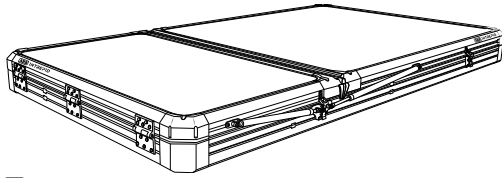
Do not pull on the strut to enter the tent, and do not lean on the strut for back support. Any bend in the strut could make the tent non-functional and void the warranty.

TENT COMPONENTS

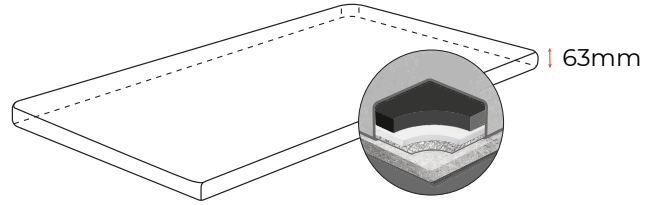


HARDWARE COMPONENTS (INCLUDED)

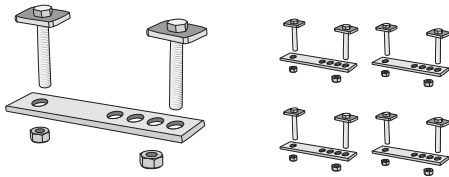
Your ARB INTREPID RTT comes with attached latches, a ladder, and a mounting kit with:



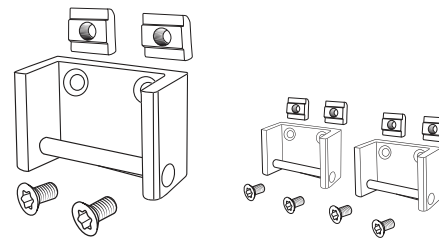
1. Tent



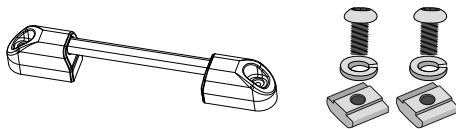
7. Mattress (Condensation-mesh)



2. Vehicle connection brackets
Stainless steel lock plates



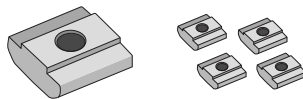
8. Ladder bracket
(1 set equipped on side door)
Other Parts included



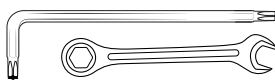
3. Handle + bolts + spring washer



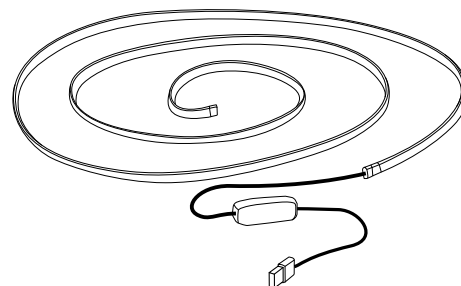
9. Logo plate



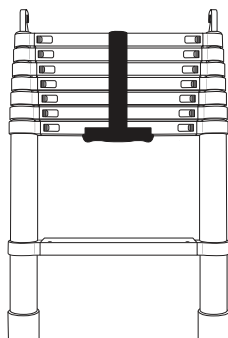
4. Additional M6 T-nut



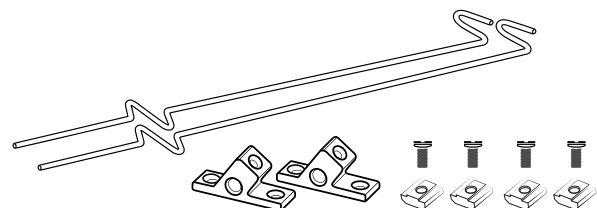
5. Torx T30IP for bolt M13
Slim combination spanner



10. 5v electric kit - LED light



6. 8 step ladder 2.3m

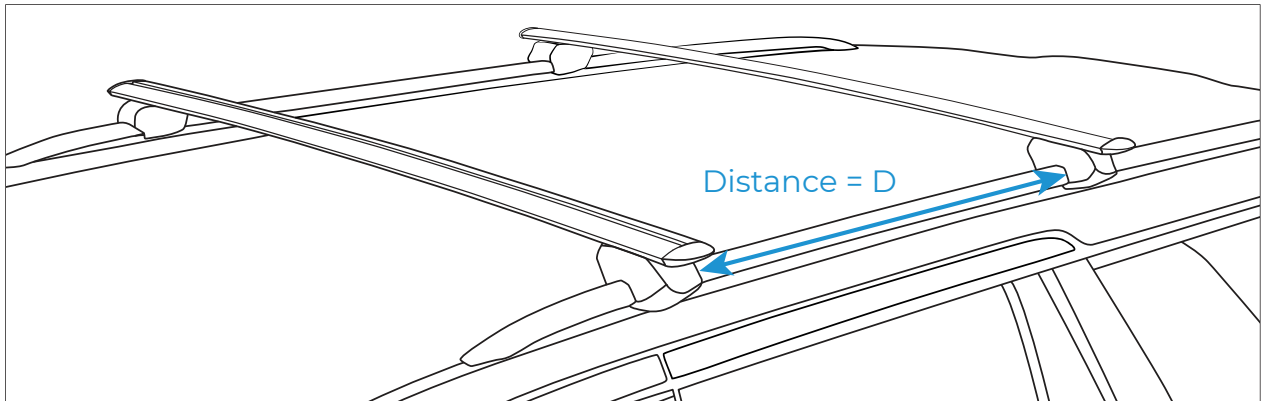


11. Awning Wire Kits

CROSSBAR OR PLATFORM

ADJUSTING THE CROSSBARS

Manufacturer recommendation: distance between crossbars should be **91cm minimum** for more stability while driving. This distance is also recommended between mounting points on platform racks.



PLATFORM RACKS:

Platform racks can also be used, but may require alternate installation rails. Popular platform racks like Prinsu or Pioneer racks may require brand-specific mounting hardware or alternate methods of installation.

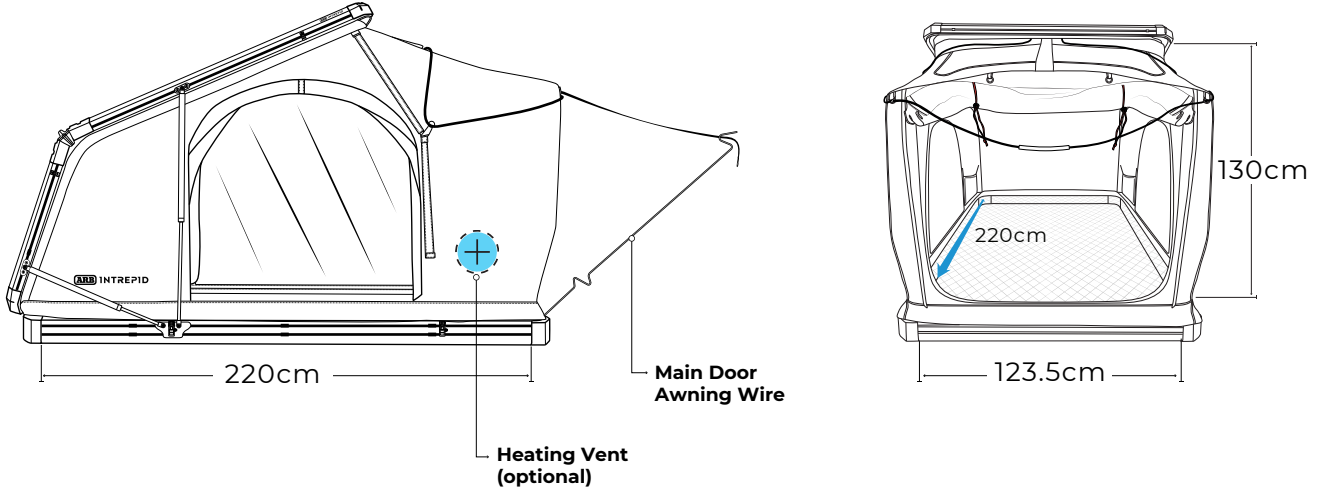
Any additional accessories on crossbar should have a vertical load specification.

CROSS BARS:

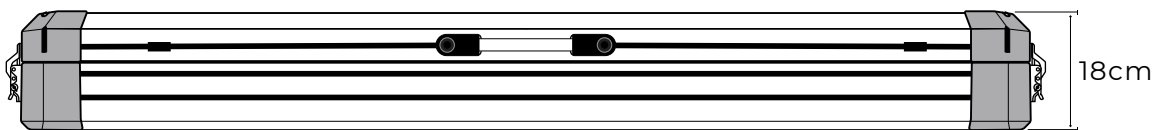
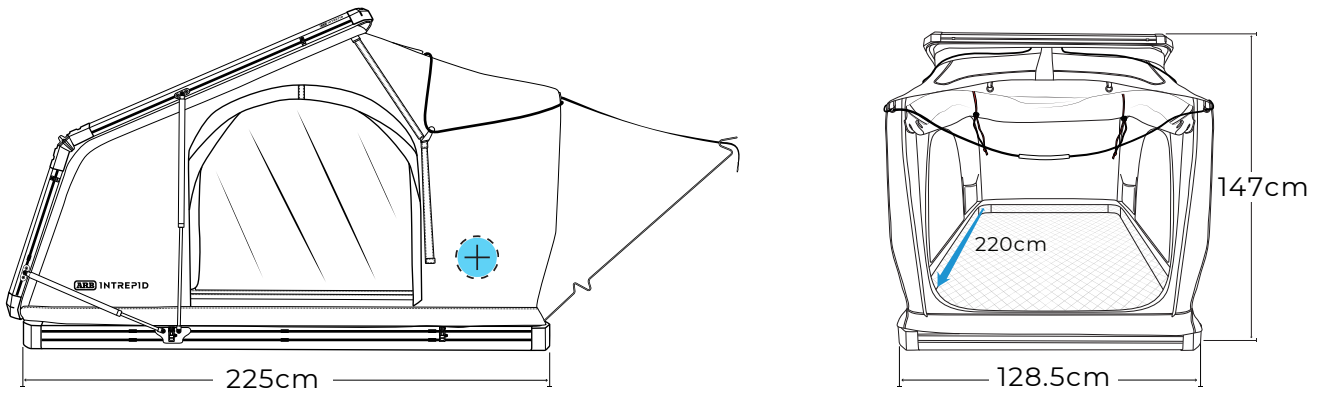
We recommend you purchase heavy-duty, aftermarket crossbars with a dynamic weight rating of at least 75kg. Be sure to check your system's weight capacity and factor in any other equipment or accessories you plan on mounting, to ensure it meets the crossbar's weight recommendation and original car maker's roof rail limit.

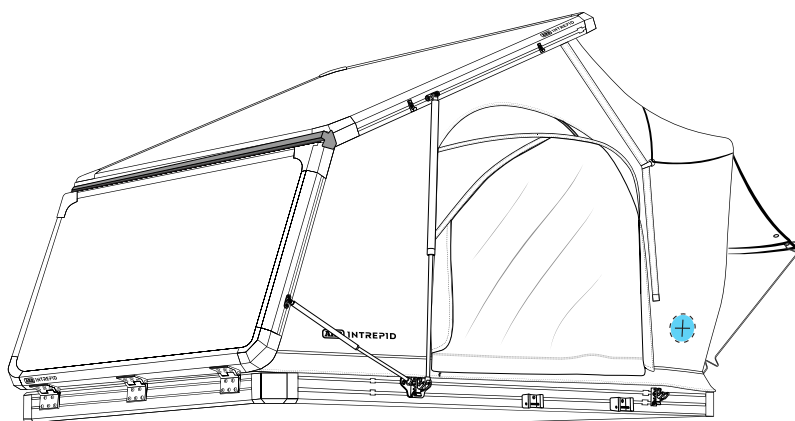
DIMENSIONS AND SPECS 2.0

INTERIOR DIMENSIONS



EXTERIOR DIMENSIONS



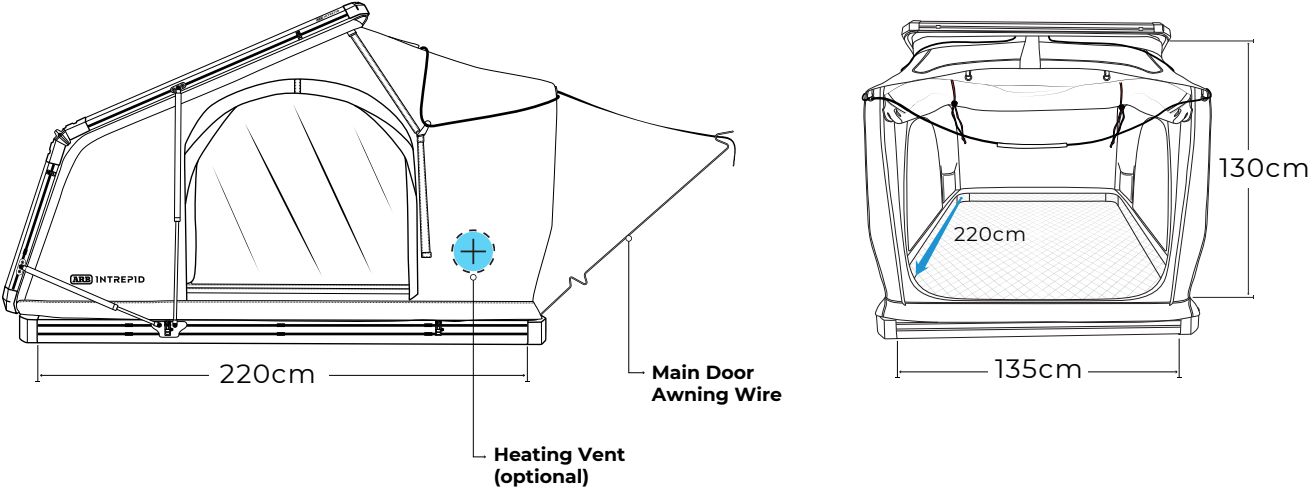


■ Note: Heavy-duty crossbars should be used when adding extra attachments on top.

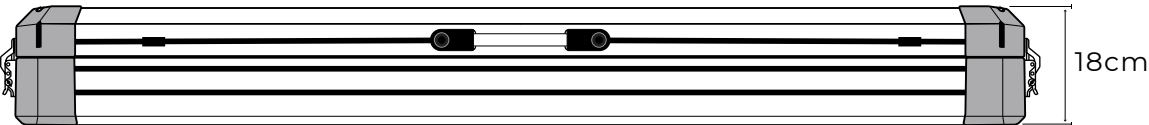
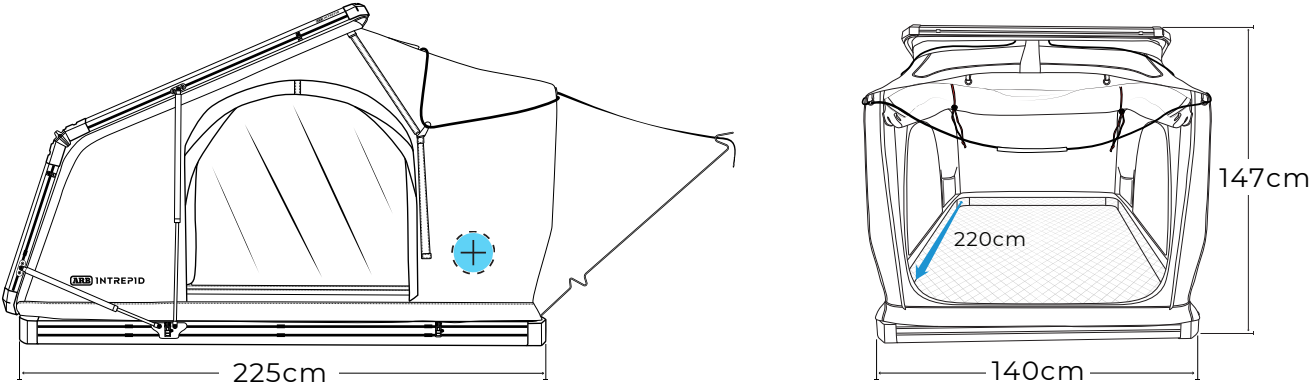
Weight	Tent frame & fabric: 63kg (excluding all detachables) + Mattress & condensation mat: 69kg * Ladder: 7.5kg
Interior Dimension	220cm x 123.5cm x 130cm
Exterior Dimension	225cm x 128.5cm x 147cm
Height Closed/Open	18cm / 147cm
Floor	Honeycomb aluminum Aluminum extrusion
Tent Fabric	<p>Body Skin fabrics</p> <ul style="list-style-type: none"> 300D High Tenacity Double-Rip Polyester + 10.000mm Poly Urethane Waterproof back coating + PFAS free water repellent surface coated + Flame Retardant treatment + Ultra-Violet resistant
Mattress	<ul style="list-style-type: none"> + Skin - 210D Welded waterproof fabric + Foam - 38mm Poly Urethane, Poly Ethylene, Aluminum insulation triple layer body foam + Condensation Mesh - 15mm Polyester coil spacer. + Total 63mm Thick mattress
Seasons	4 Seasons
Sleeping Capacity	2 Adult

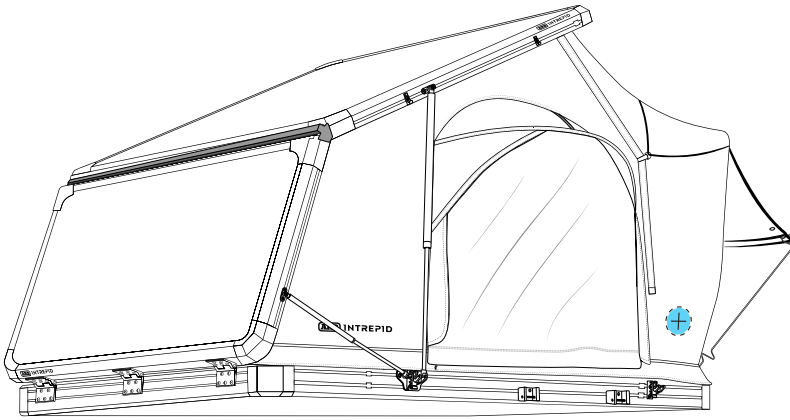
DIMENSIONS AND SPECS 2.5

INTERIOR DIMENSIONS



EXTERIOR DIMENSIONS



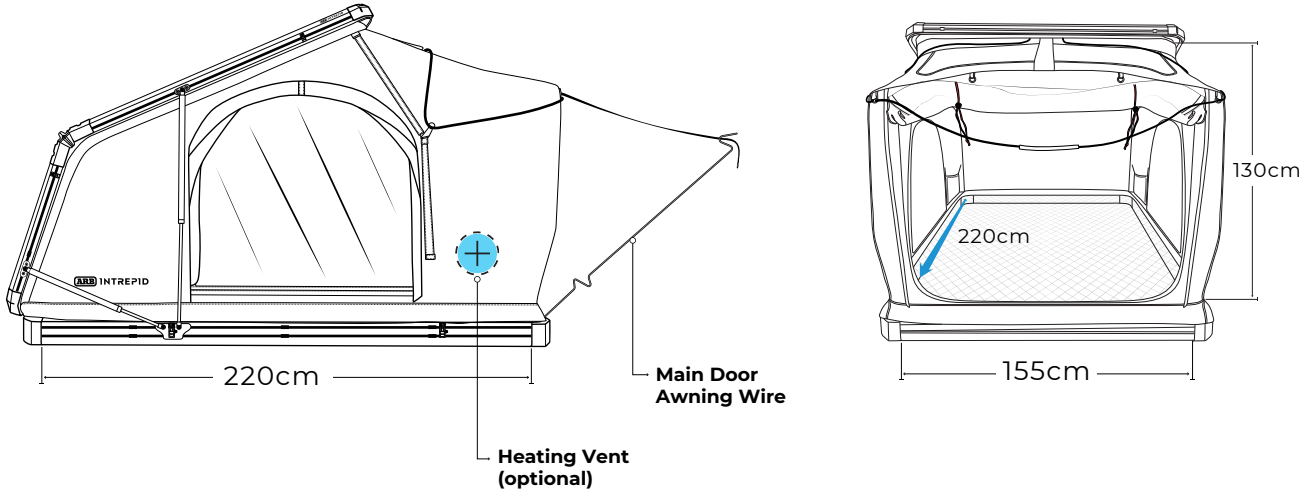


■ Note: Heavy-duty crossbars should be used when adding extra attachments on top.

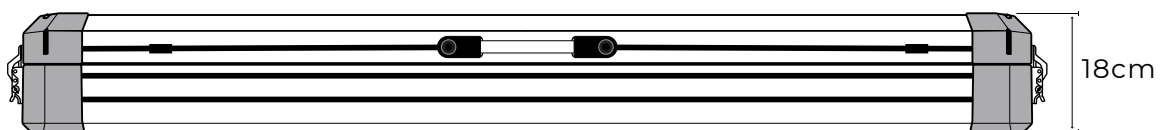
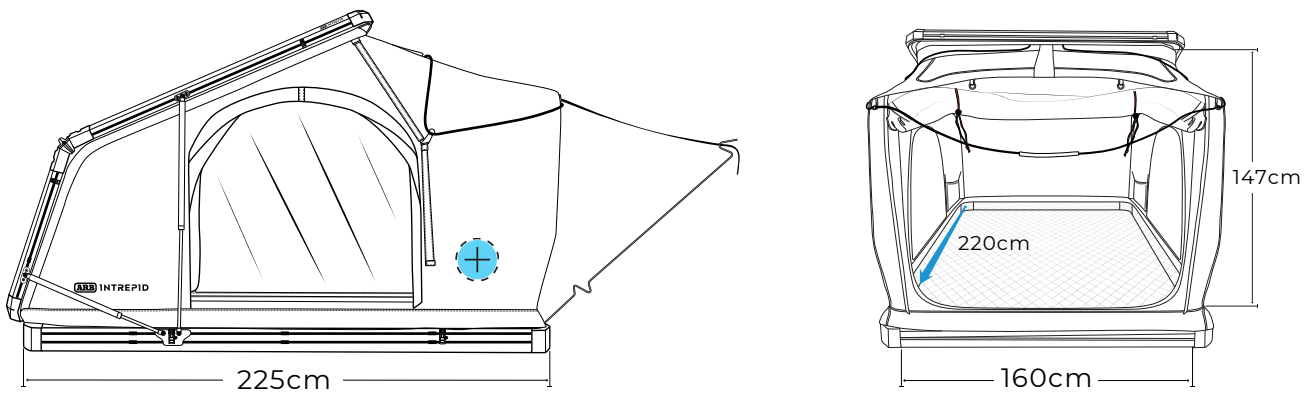
Weight	Tent frame & fabric: 68kg (excluding all detachables) + Mattress & condensation mat: 75kg * Ladder: 7.5kg
Interior Dimension	220cm x 135cm x 130cm
Exterior Dimension	225cm x 140cm x 147cm
Height Closed/Open	18cm / 147cm
Floor	Honeycomb aluminum Aluminum extrusion
Tent Fabric	Body Skin fabrics 300D High Tenacity Double-Rip Polyester + 10.000mm Poly Urethane Waterproof back coating + PFAS free water repellent surface coated + Flame Retardant treatment + Ultra-Violet resistant
Mattress	+ Skin - 210D Welded waterproof fabric + Foam - 38mm Poly Urethane, Poly Ethylene, Aluminum insulation triple layer body foam + Condensation Mesh - 15mm Polyester coil spacer. + Total 63mm Thick mattress
Seasons	4 Seasons
Sleeping Capacity	2 Adult, 1 Child

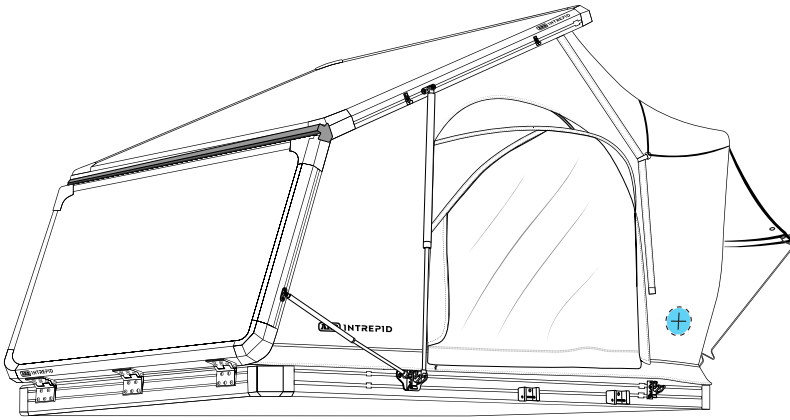
DIMENSIONS AND SPECS 3.0

INTERIOR DIMENSIONS



EXTERIOR DIMENSIONS

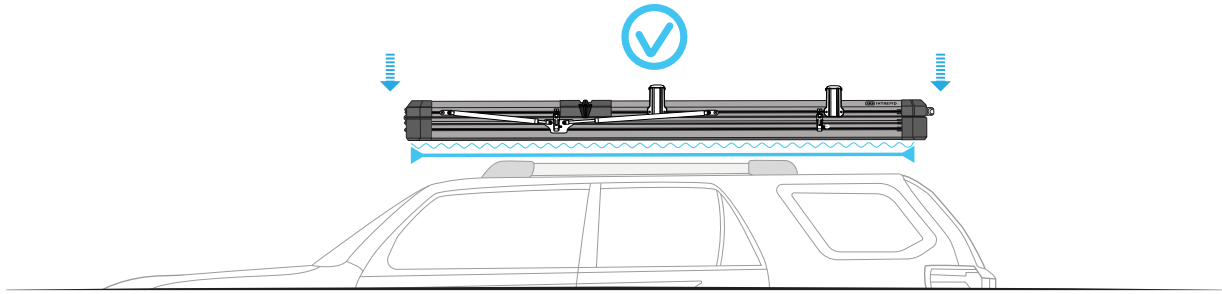




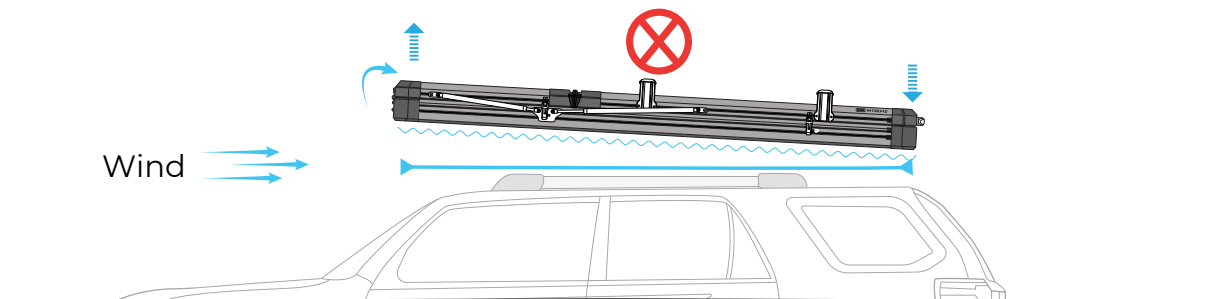
■ Note: Heavy-duty crossbars should be used when adding extra attachments on top.

Weight	Tent frame & fabric: 77kg (excluding all detachables) + Mattress & condensation mat: 85kg * Ladder: 7.5kg
Interior Dimension	220cm x 155cm x 130cm
Exterior Dimension	225cm x 160cm x 147cm
Height closed/open	18cm / 147cm
Floor	Honeycomb aluminum Aluminum extrusion
Tent Fabric	Body Skin fabrics 300D High Tenacity Double-Rip Polyester + 10.000mm Poly Urethane Waterproof back coating + PFAS free water repellent surface coated + Flame Retardant treatment + Ultra-Violet resistant
Mattress	+ Skin - 210D Welded waterproof fabric + Foam - 38mm Poly Urethane, Poly Ethylene, Aluminum insulation triple layer body foam + Condensation Mesh - 15mm Polyester coil spacer. + Total 63mm Thick mattress
Seasons	4 Seasons
Sleeping Capacity	3 Adult

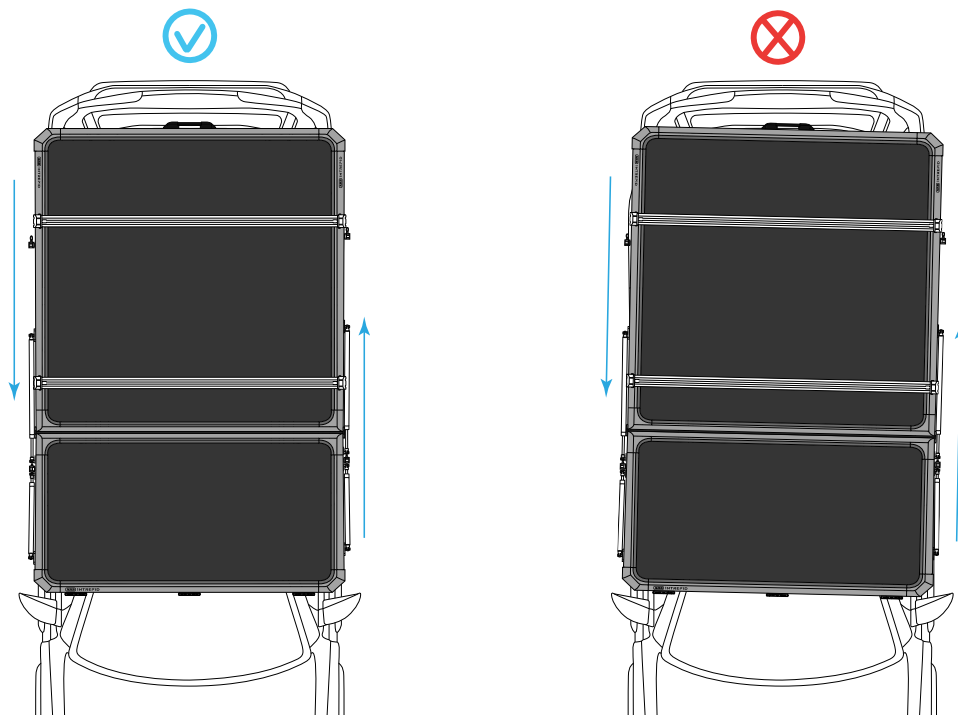
TENT INSTALLATION 2.0, 2.5 AND 3.0



Parallel with the crossbar.



Back side down (drag force).

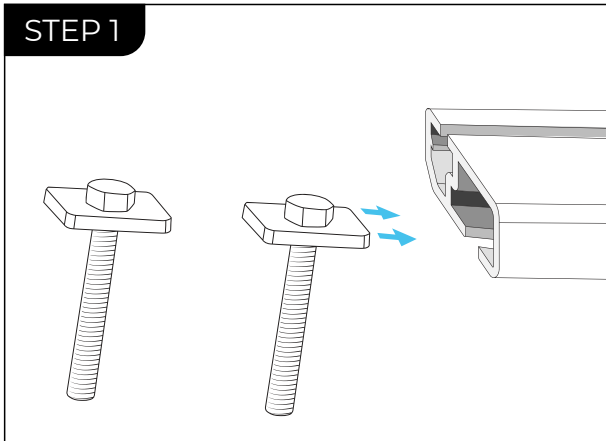


- Parallel with the vehicle's body.
- Check balance from front & back side.

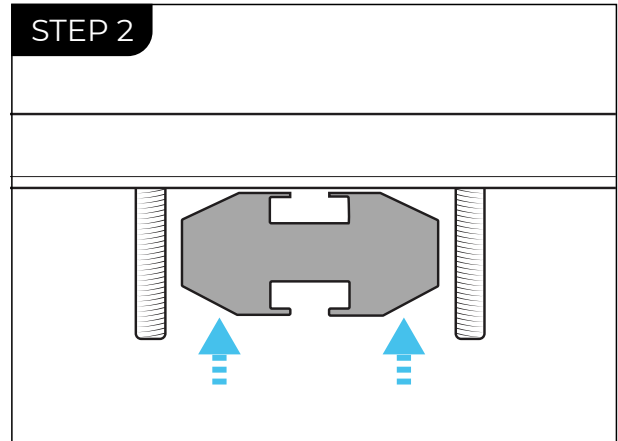
TENT INSTALLATION 2.0, 2.5 AND 3.0

HARDWARE PREPARATION

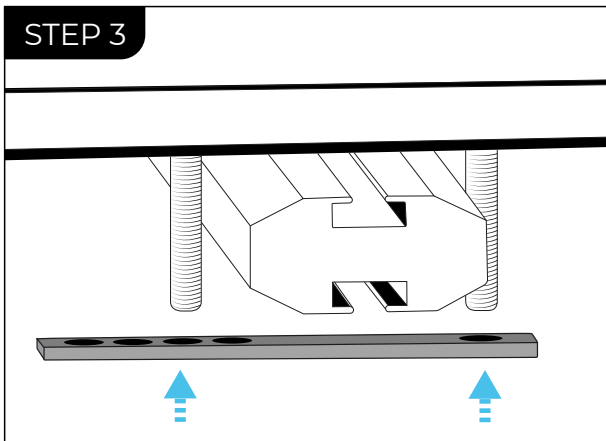
Prepare 4 bottom locking sets to assemble (2 extra or optional sets).



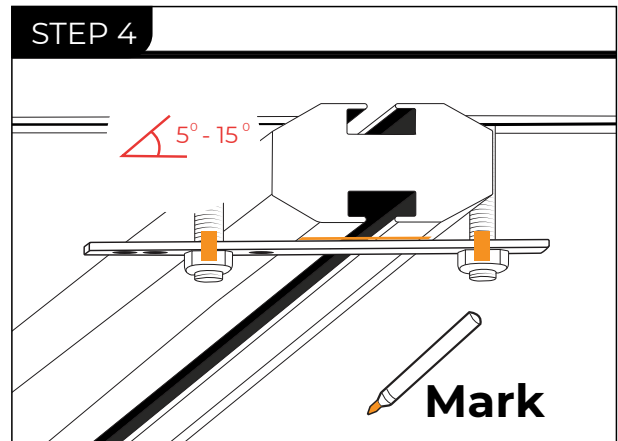
Insert x4 M8 bolts into the C tube at the bottom of tent.



Adjust x2 M8 bolts on the 2 sides of the cross bar as the picture shows.



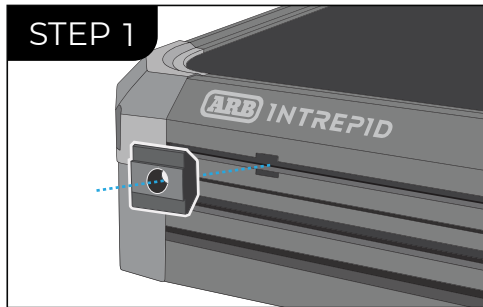
Insert the lock plate to the M8 bolts.



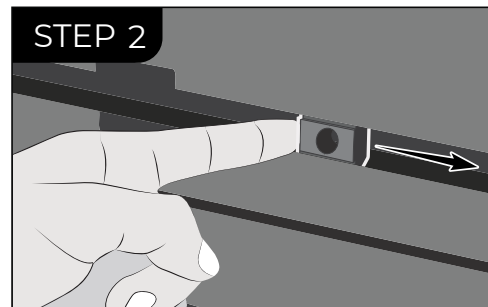
Tighten x2 M8 nuts into the M8 bolts within a 5°-15° plate angle (bolt might break when untightening nut). Mark the installation position, it will help monitor the original position.

IMPORTANT: Be sure to check the hardware (roof rail, crossbar, lock plate, etc.) after 16-32 kilometres after installation and after every trip off road to be sure it's still secure.

INSTALLING RAIL COMPONENTS



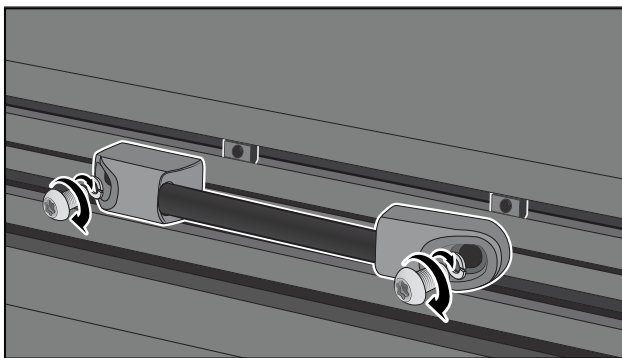
Insert x2 M6 T-Nuts into the groove of the top frame.



Move it to the position where you want to install the handle.

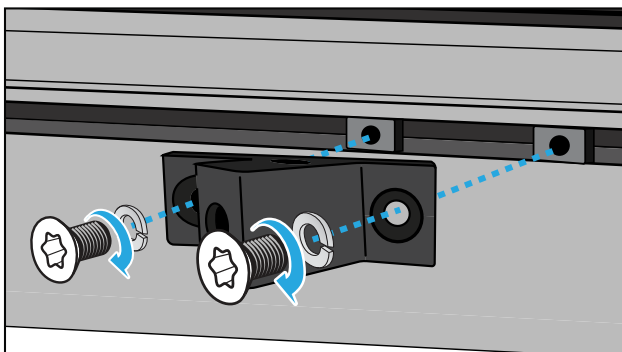
INSTALL THE HANDLE

We recommend installing your ladder hooks and handle on your vehicle after it is mounted, and the handle should be placed in front of the main door (balanced push-up force).



Install the handle, x2 spring washers and x2 M6 bolts, and tighten the bolt.

INSTALL THE RAINFLY POLE HOLDER

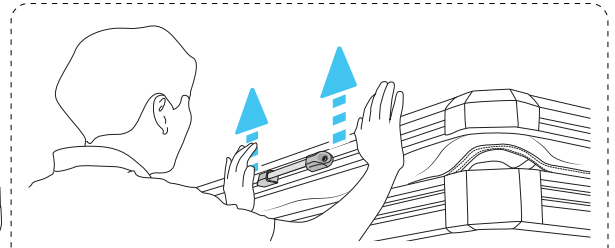
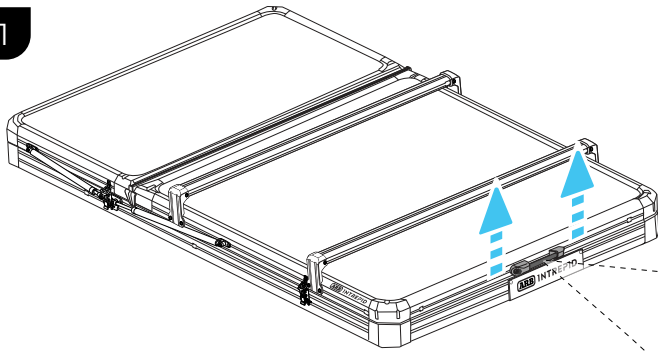


Install the rainfly pole holder, x2 spring washers and x2 M6 bolts, and tighten the bolt.

Note: T-nuts left unused in the groove will make more noise.

HOW TO OPEN THE RTT

STEP 1

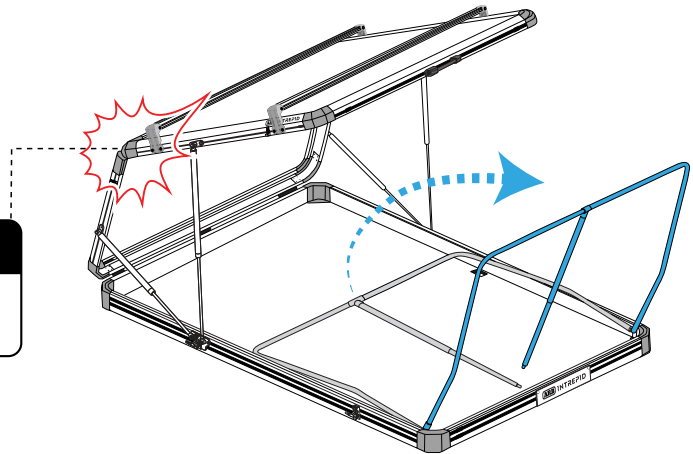


Push up gently & slowly, so that the gas spring lifts the top cover into its final position (giving some time for air intake).

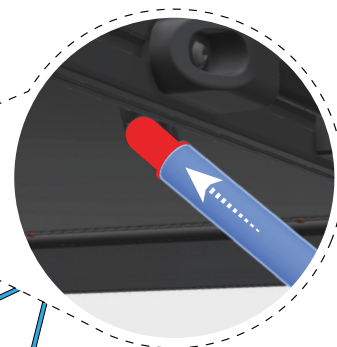
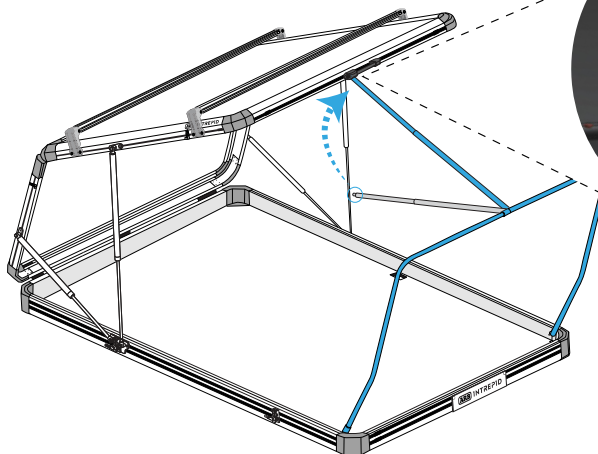
STEP 2

Caution!

A strong and quick lift up will damage the frame and hinge.

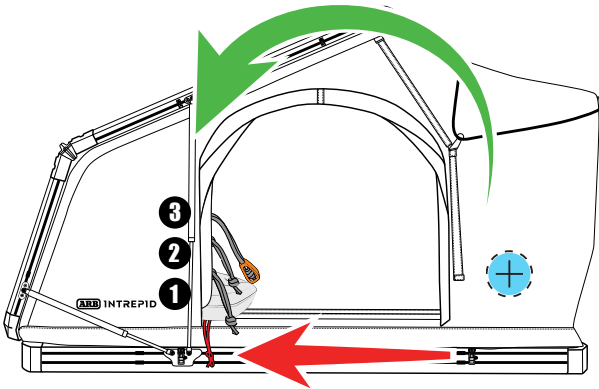


STEP 3

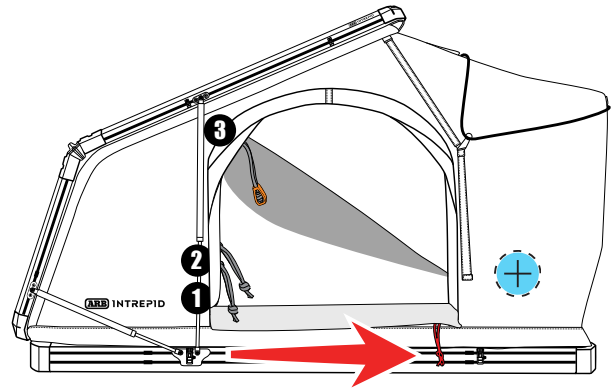


HOW TO MANAGE GEOMETRIC DOOR

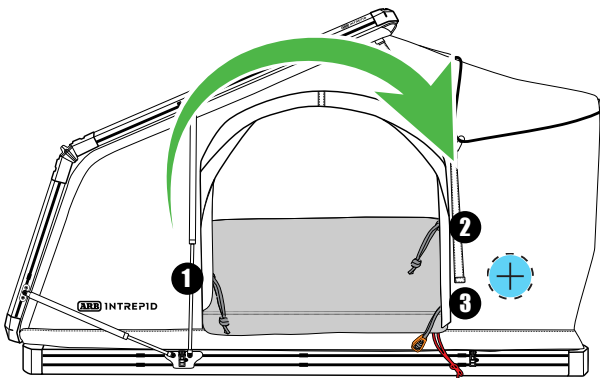
MULTIPLE DOOR - OPENING WAYS:



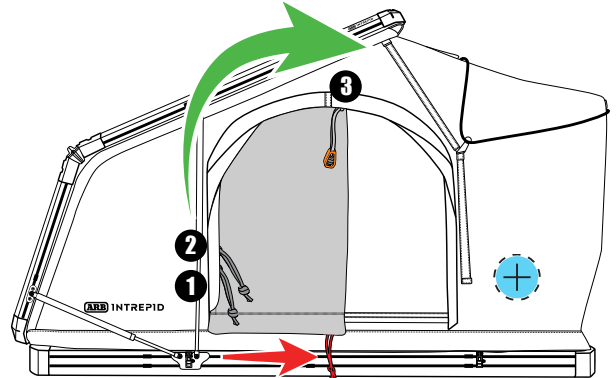
1. Completely open.





2. Full open (don't need to fold the door).



3. Half top opening (ventilation)
for raining season.

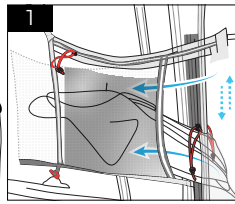
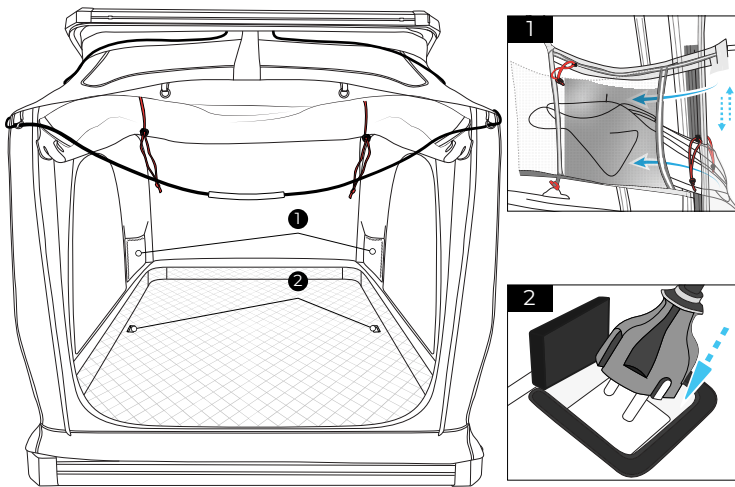


4. Half side opening for snowing season.

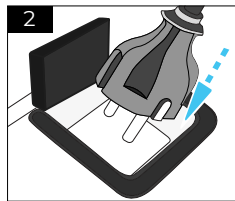
-  RED COLOR ZIP: Inner door
-  GREY COLOR ZIP: Outer door

 **Note:** This is very important to help reduce condensation build up during cold and wet nights.

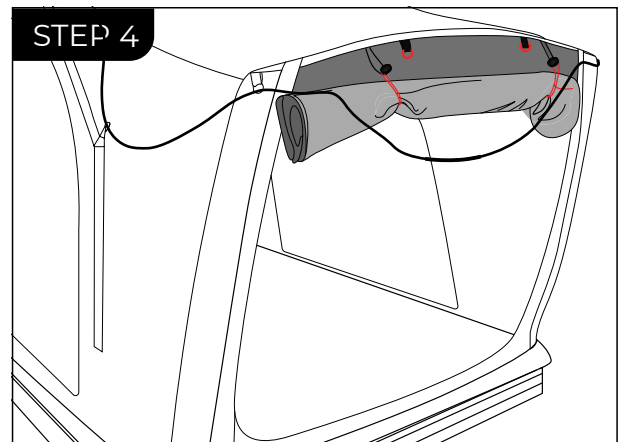
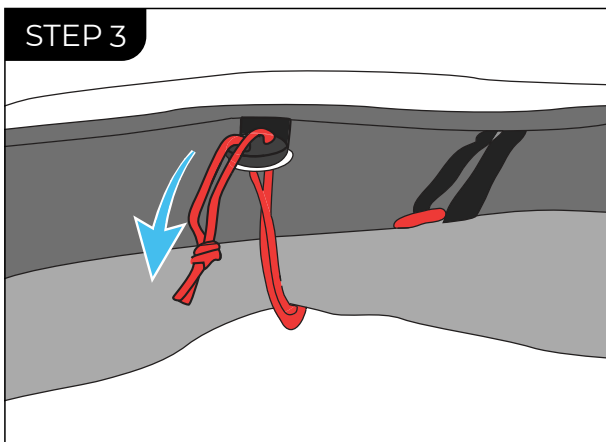
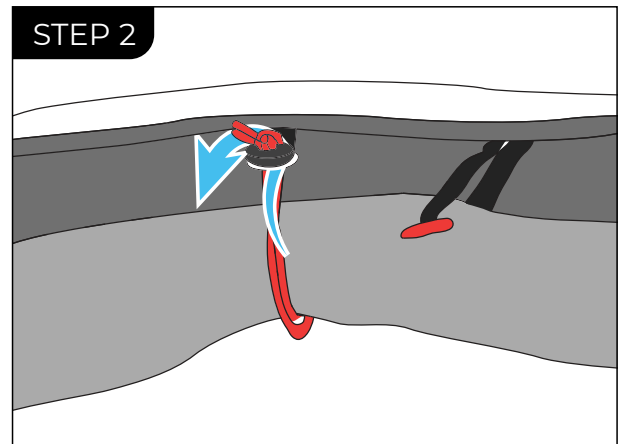
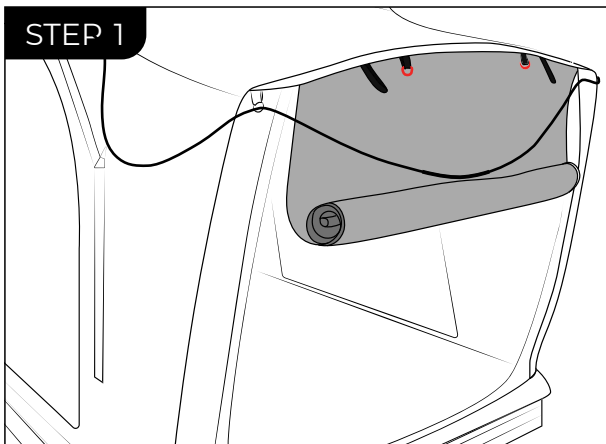
SETUP INSIDE THE TENT



The two mesh pockets included:
Zip up and tuck the door fabric inside, then zip down.

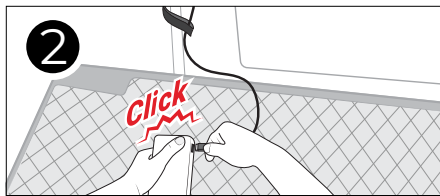
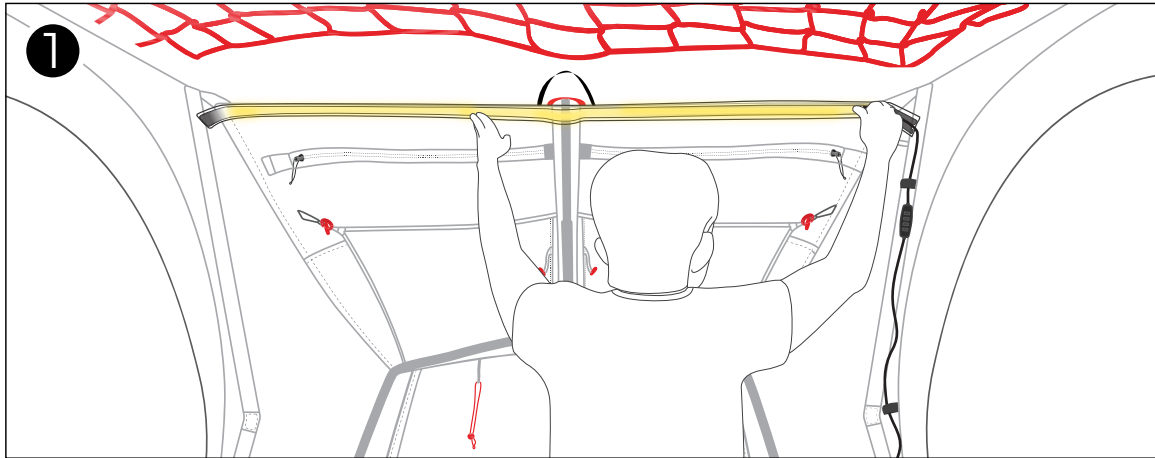


The tent has x2 holes on each sides, which a plug can be passed through. When not in use, block with the included foam.

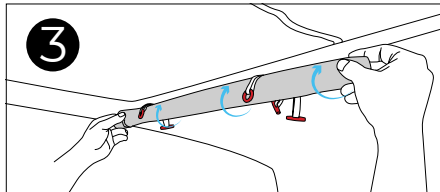


Front door: The three large windows can be rolled up and tied neatly with the string all together or single.

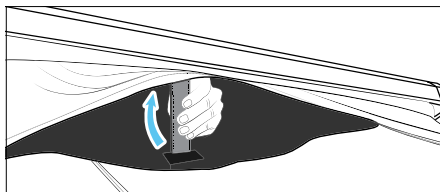
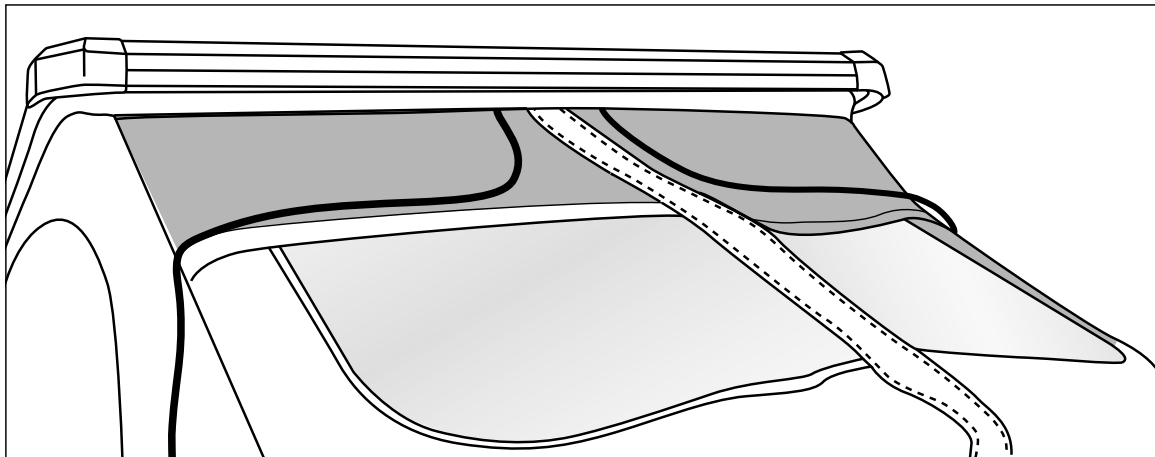
SETUP INSIDE THE TENT



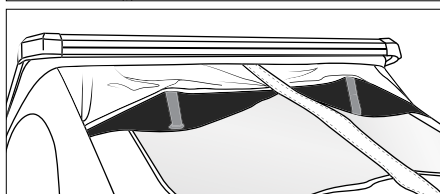
The tent is equipped with a led light in the middle and several O-rings inside.



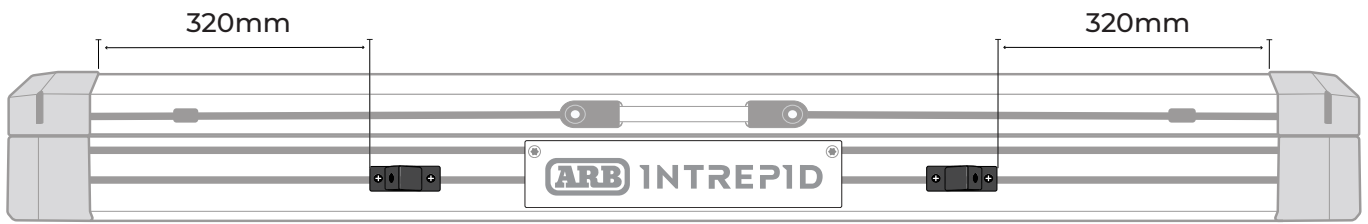
*** Connection to a power bank or hardwired required.**



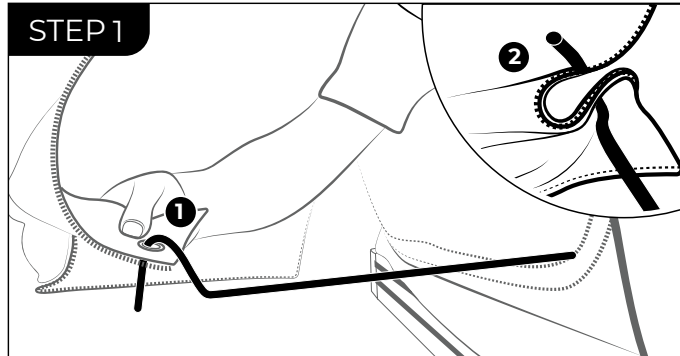
Put up the ventilation support bars - **Should fold before closing!** otherwise **it will dent on TPU window.**



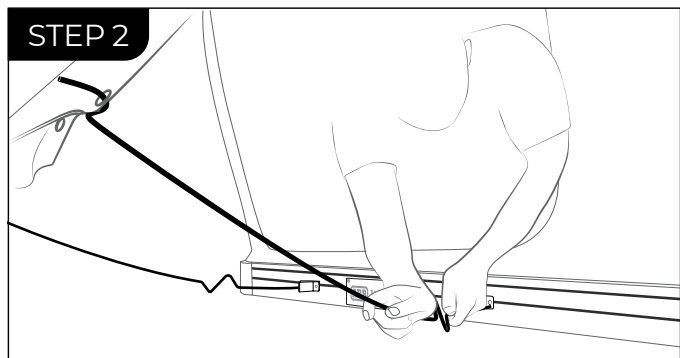
INSTALLING AWNING WIRE KITS (INCLUDED)



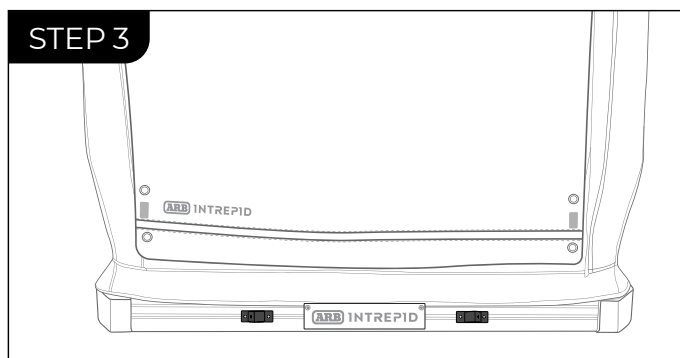
Note: Position of the wire bracket changes on wagon vehicles as the position stated contacts the rear tailgate when open.



Attach the hook to the eyelet. Choose the eyelet position that works best for you.



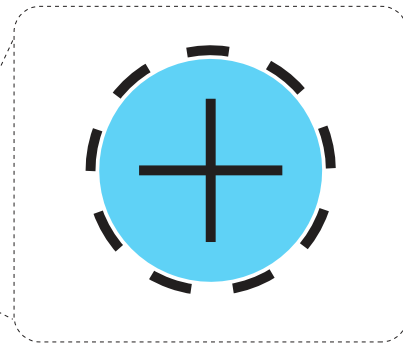
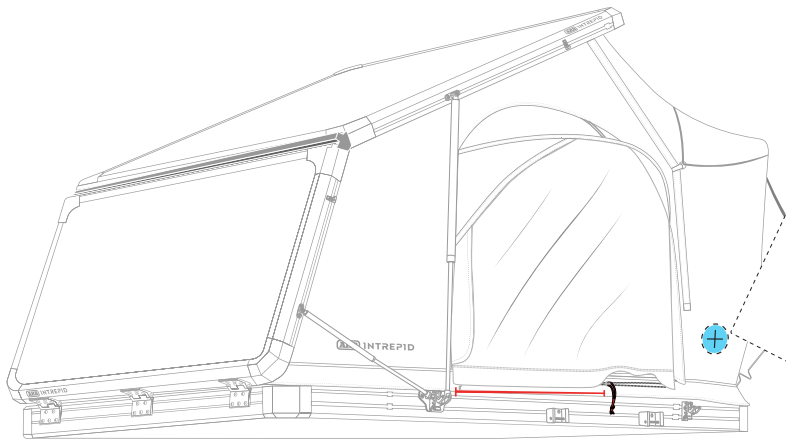
Hold the pole handle and gently bend it to insert it into holder.



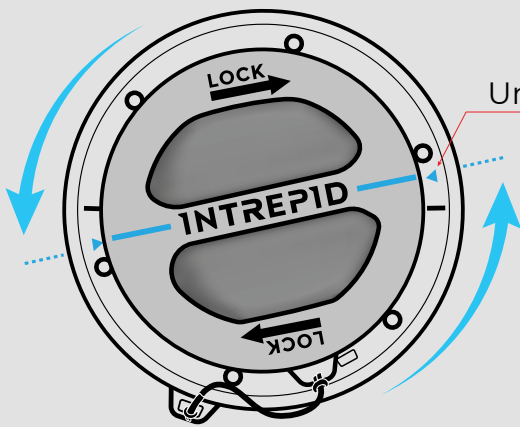
Reverse the bending motion from step 2 to remove the pole.

Note: You can insert the rainfly pole from outside tent, or inside tent (Remove with caution).

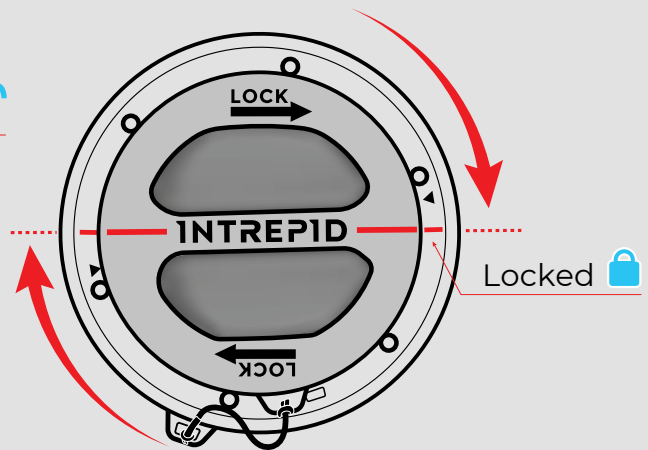
INSTALLING HEATING VENT (OPTIONAL)



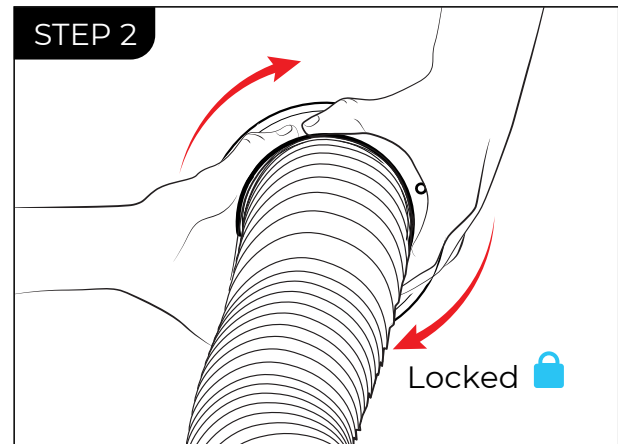
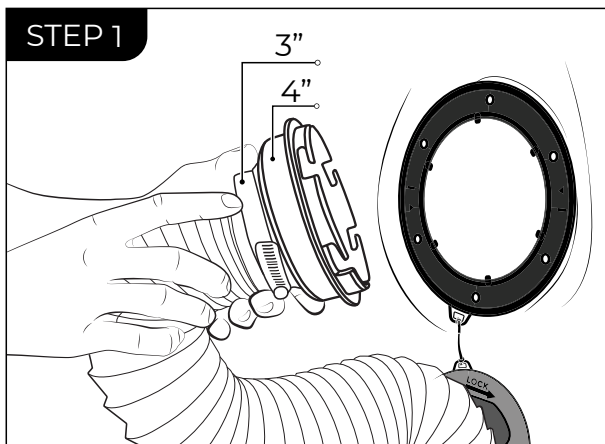
Cut hear for heating vent installation.



Unlock 

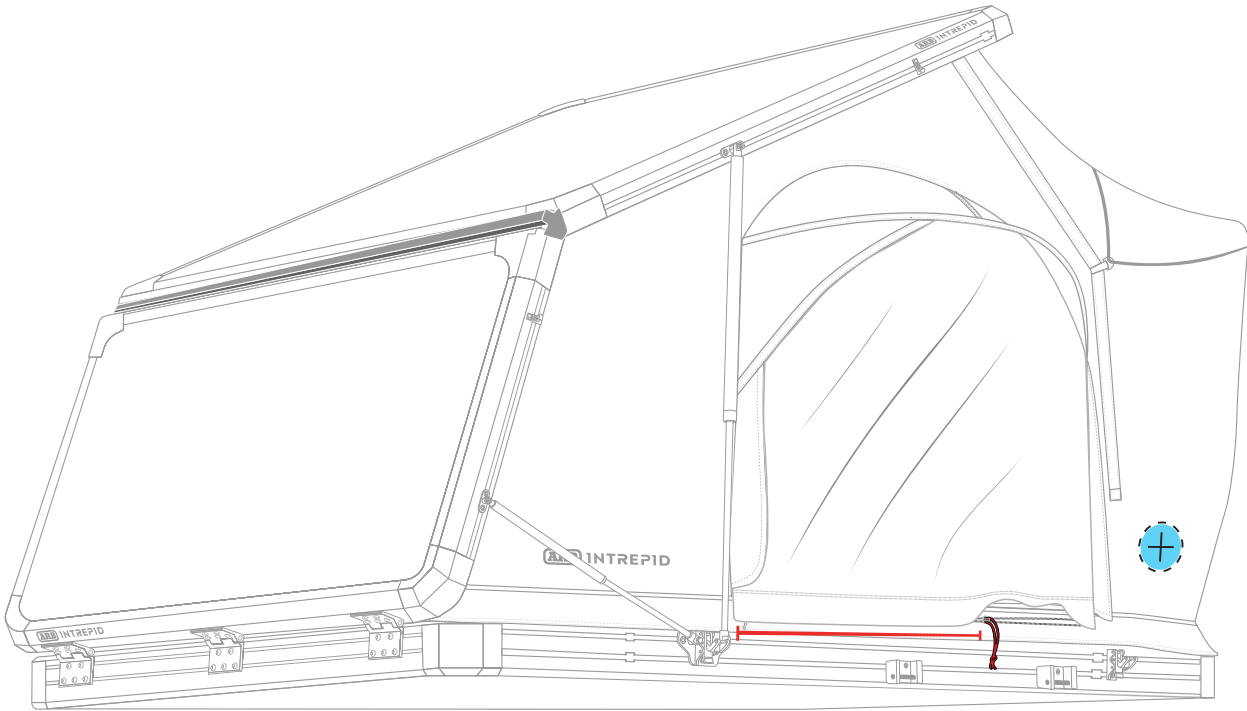


Locked 

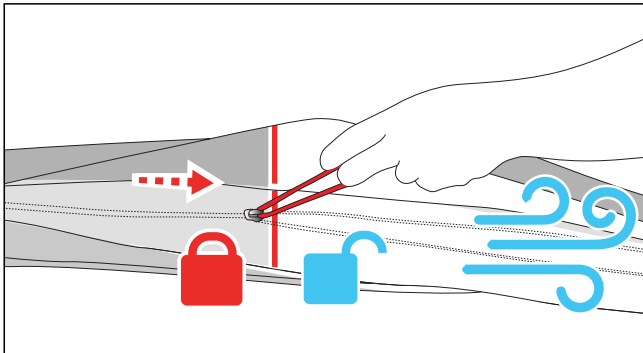


Open the HVAC cap and install the heating air hose.

HOW TO CLOSE THE RTT

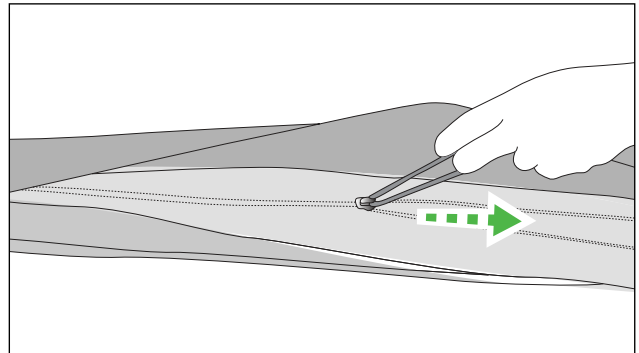


RED ■ 50% closed



Leave the bottom zipper puller (red) close 50%, which prevent water inside when heavy rain.

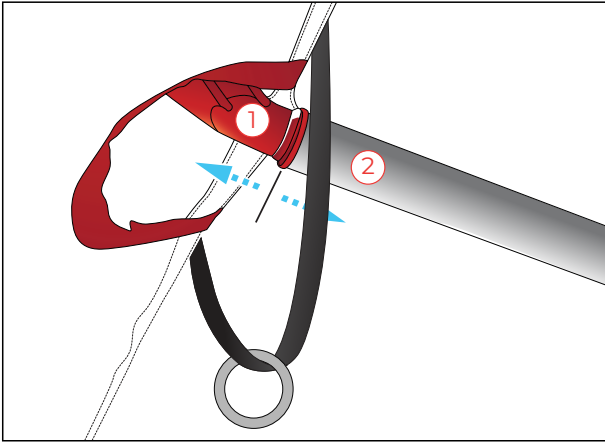
GREY ■ 100% closed



Close before folding

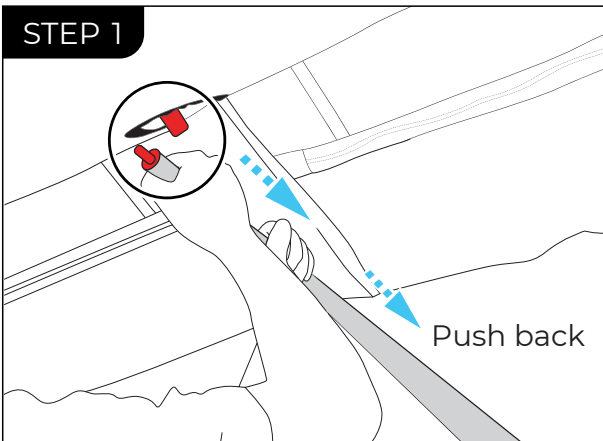
- 1 per side door
- 2 for front door
- 2 ventilation support bar

HOW TO CLOSE THE RTT

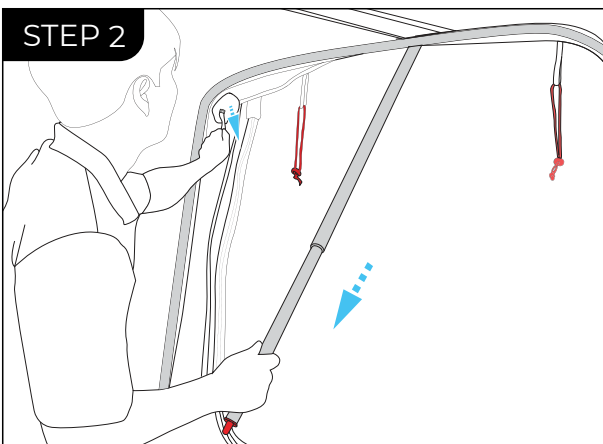


1. Holder
2. Support bar

Fold before closing, otherwise it will dent TPU window.



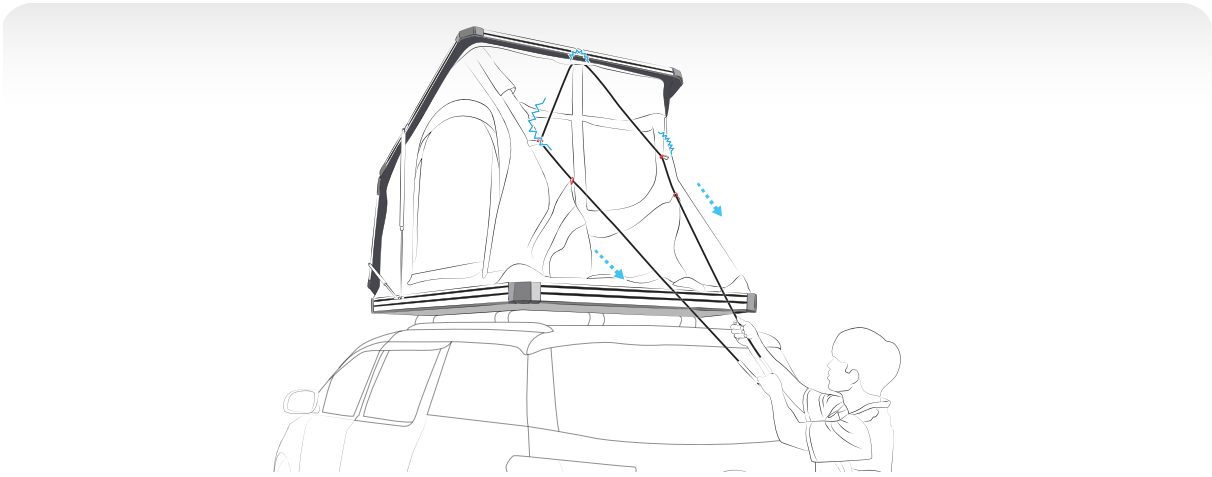
Remove the door frame support bar, and drop it back after you close both side windows.



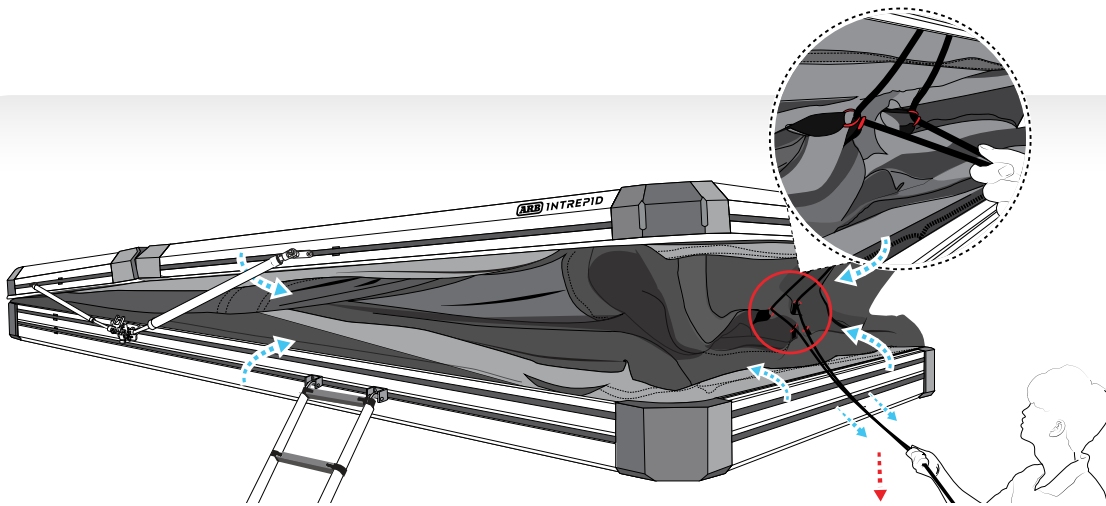
Next, take off the door frame, as shown in the picture, and lay it on the mattress gently.

***Be careful not to pinch the canvas in the frame when closing.**

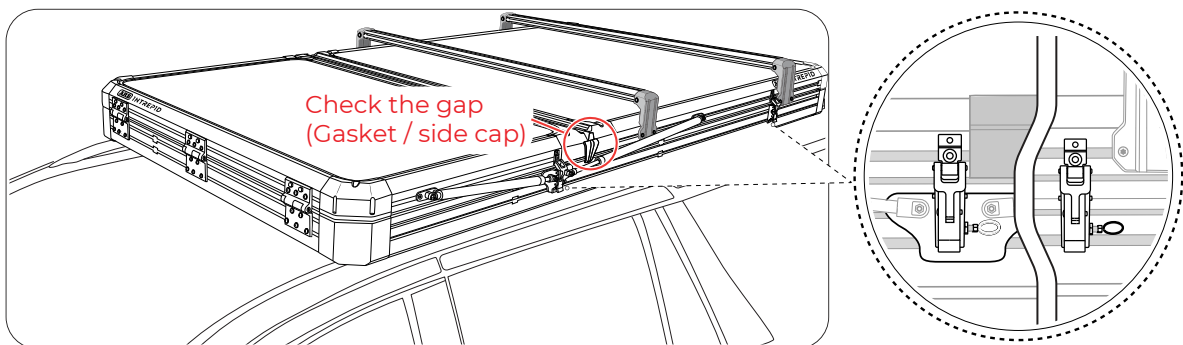
Note: Be sure to place the door frame **support bar flat down on the mattress!** otherwise, it will stamp the mattress.



Grab the rope grip and pull to fold the tent. Pull with your lower body. It is recommended that you do not close it too quick, so the inner air has enough time to go out.



When it's nearly closed, tuck in the fabric from three sides, then put the string inside the tent.

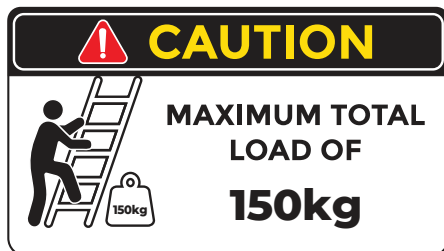


After tent is closed, check side gaps (water penetration path) on both sides.

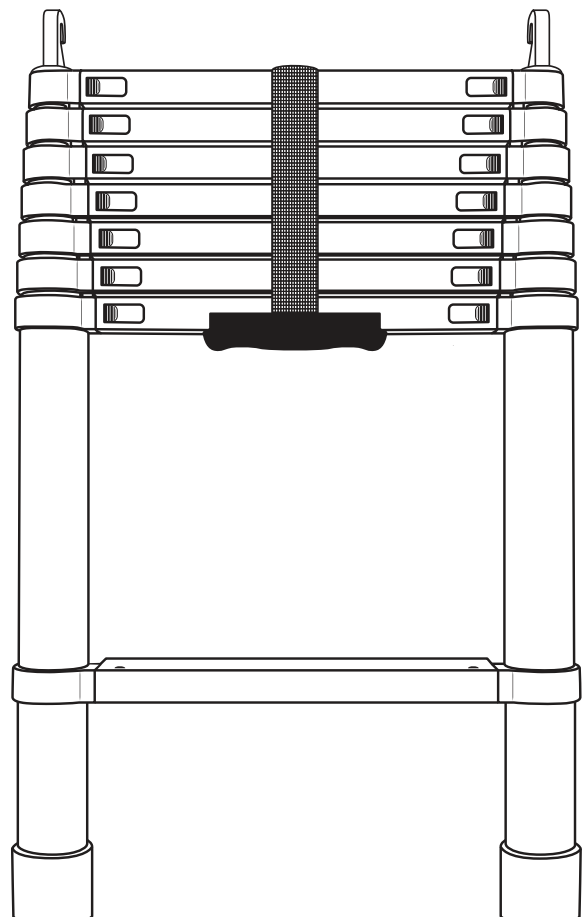
WIDE FOOT LADDER

SPECIFICATIONS:

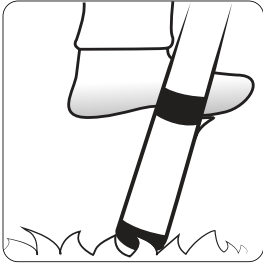
MODEL	LADDER 8 STEPS	LADDER 11 STEPS
	Included	Optional
Maximum safe load	150kg	150kg
Number of steps	8	11
Open Dimensions (H x W x D)	230cm x 45cm x 6cm	320cm x 45cm x 6cm
Closed Dimensions (H x W x D)	74cm x 45cm x 6cm	88cm x 45cm x 6cm
Weight	7.5kg	9.2kg



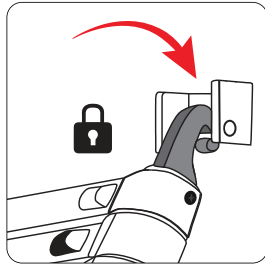
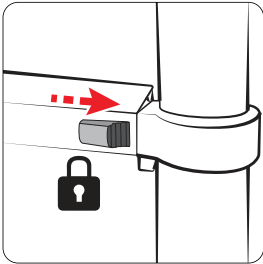
The maximum load on the ladder is 150kg



1 TO OPEN THE LADDER

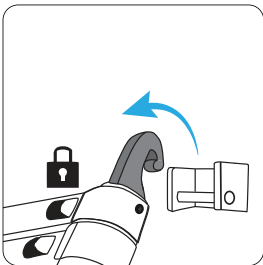


Start with your foot on the first step and pull the ladder up as needed to reach the desired height, the steps will lock as you go.



Before climbing the ladder check that all step locks are secured in the locked position, and the ladder is securely hooked into the bracket in both ladder mounting points.

2 TO RETRACT THE LADDER



Unhook from the tent and unlock steps starting at the top, and ending with the bottom step.

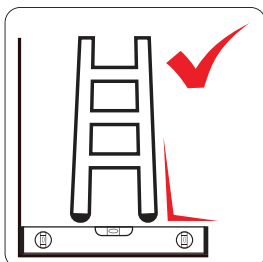


When retracting the ladder, be careful not to leave fingers or other bodyparts in between the steps.

Collapse after use and store indoors.



SAFETY:

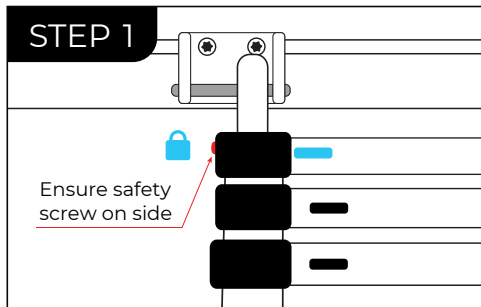


Before use ensure that the ladder is set up on stable, flat ground.

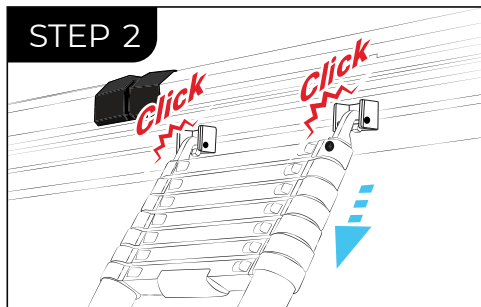
INSTALL THE LADDER

INSTALL THE LADDER

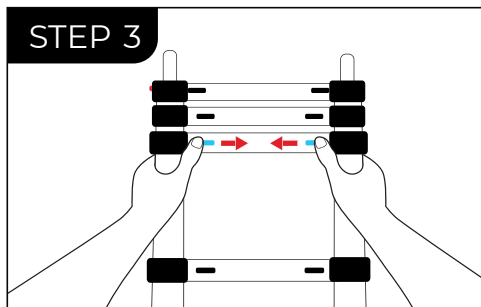
Hook the ladder to the bracket properly and adjust the angle so it is stable, and the lock is securely engaged (be sure to adjust height and angle, then lock).



First button: Locked for hook fixation (all-time lock/ screwed from side for safety).



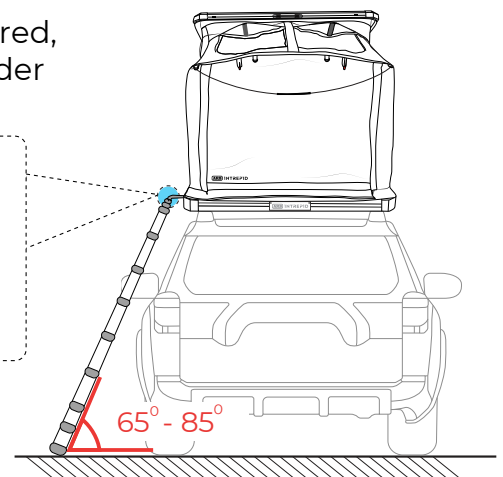
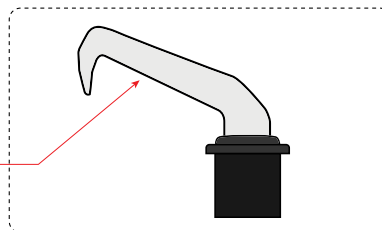
Ensure that hooks on top inserted to the shaft!
Pull down to open the ladder.



Hold outside and press the button to close the ladder.

For sliding-door vehicles or if a wider fitment is required, we recommend using the **Mantis Claw Hook** for ladder stand-off.

Mantis Claw Hook
(See optional items list)



Note: Please see the caution labels on the ladder.

TENT CARE AND SAFETY

TENT CARE

The ARB INTREPID RTT is designed to achieve maximum water resistance. We suggest the following precautionary measures to aid in this:

- Recommend to zip up based on the closing guide; this will help to prevent water inside tent from affecting the mattress and skin.
- If the tent has been exposed to long periods of rain or snow, periodically open the tent for a few hours to evaporate any droplets and moisture.
- At least 1 or 2 days before use, open the tent and vents to make sure no moisture has accumulated before you leave for your next adventure.



SAFETY:

- Check hardware after 15-30 kilometres of initial driving and after every trip off road to ensure every connection is secured.
- If any noises or vibrations are heard while driving, check the angle of the tent with manufacturer standards and the tent's placement to ensure its level. If the back side of your tent is lower than the front, this can create drag force that can generate stress on cross bars at high speeds.
- Gas struts are NOT to be used as handles. Doing so may cause gas struts to bend or gas leaking. Breaks of this kind are user error, not covered by our warranty policy.
- Keep gas struts rod away from dust; dust and rust may cause gas leakage.
- Before each camping season, or after prolonged use, be sure to check all the screws underneath the tent along the frame. Screws may loosen over time due to vibration and gravity. Screws should be snug but not overtightened. If you have any concerns, please contact ARB or visit your local ARB stockist.

For more information about our privacy practices, if you have questions, or if you would like to leave feedback, please contact us via our contact page or by mail using the details provided below:

arb.com.au or visit your local dealer

ACCESSORIES

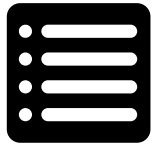
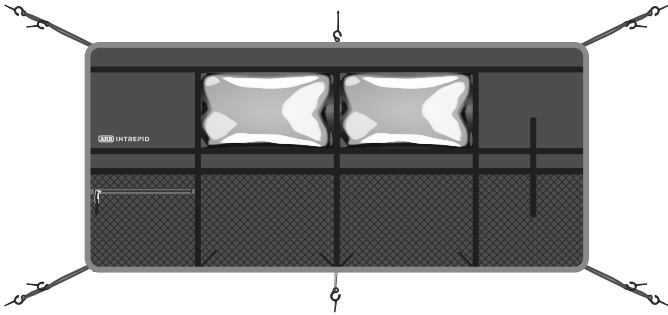


TABLE OF CONTENTS

1. ORGANIZER 2.0 - 2.5 - 3.0.....	27
2. SHOE BAG	
3. CARGO NET 2.0 - 2.5 - 3.0	
4. SOLAR PANELS	
5. MANTIS CLAW HOOK	
6. EYE BOLT KITS	
7. RAPID T-SLOT LOOP	
8. BASE RACK MOUNT BLOCKS	
9. AWNING BRACKETS	
INSTALLING RAPID T-SLOT LOOP.....	28

ACCESSORIES

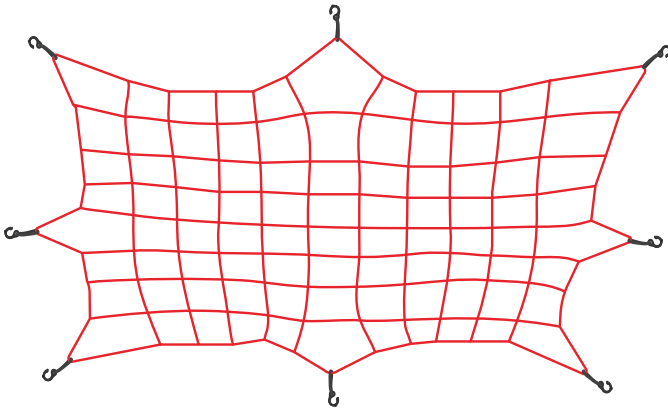
ACCESSORIES SOLD SEPARATELY:



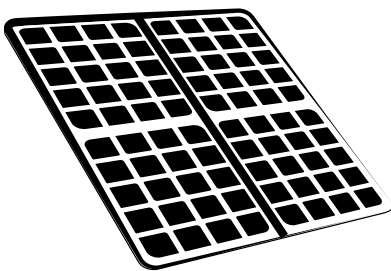
1. Organizer 2.0 - 2.5 - 3.0



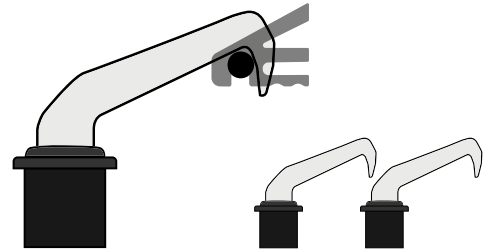
2. Shoe Bag



3. Cargo Net 2.0 - 2.5 - 3.0



4. Solar panels



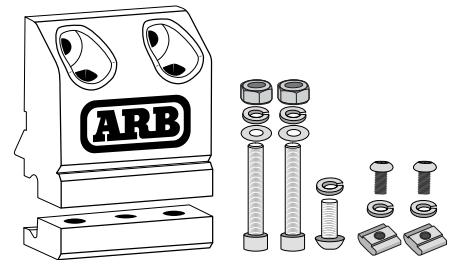
5. Mantis Claw Hook
(Put safety blocks)



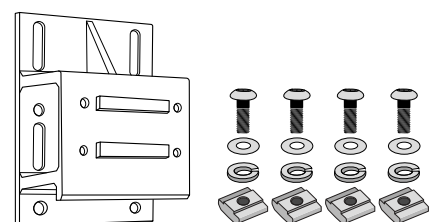
6. Eye bolt Kits



7. Rapid T-Slot Loop

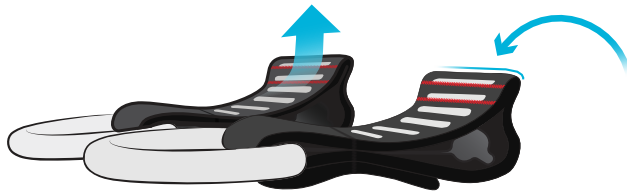


8. Base Rack Mount Blocks

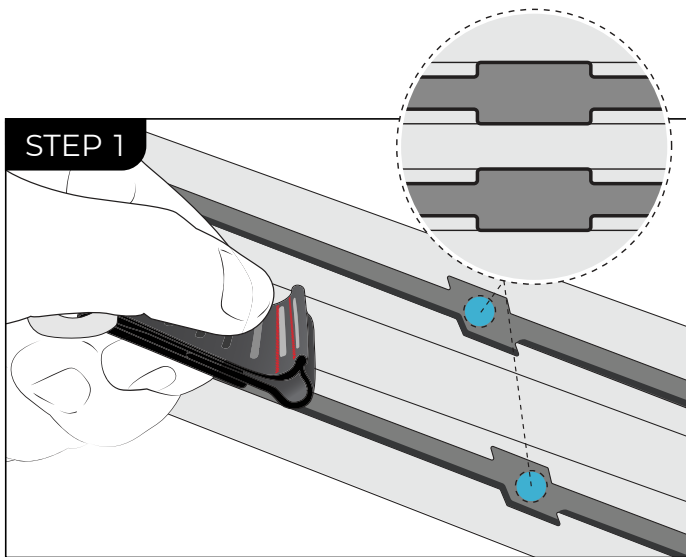


9. Awning Brackets

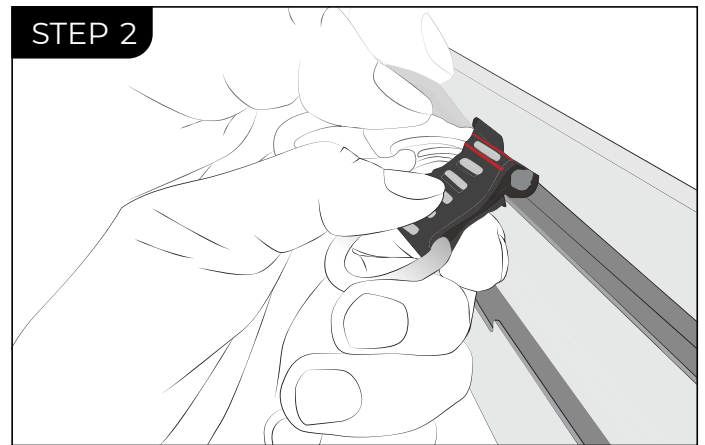
INSTALLING RAPID T-SLOT LOOP



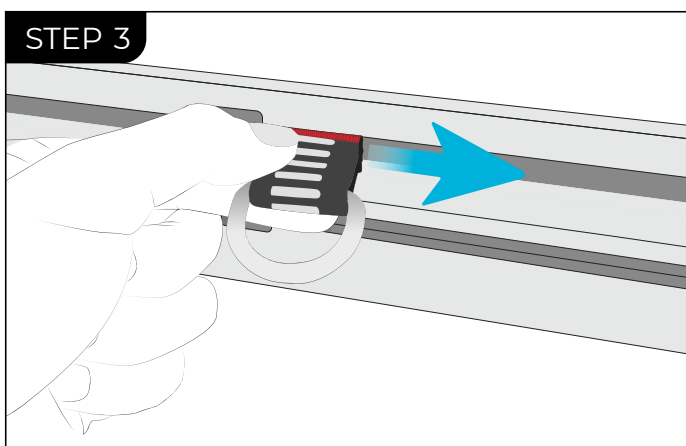
The part with red bar-tack must always point up.



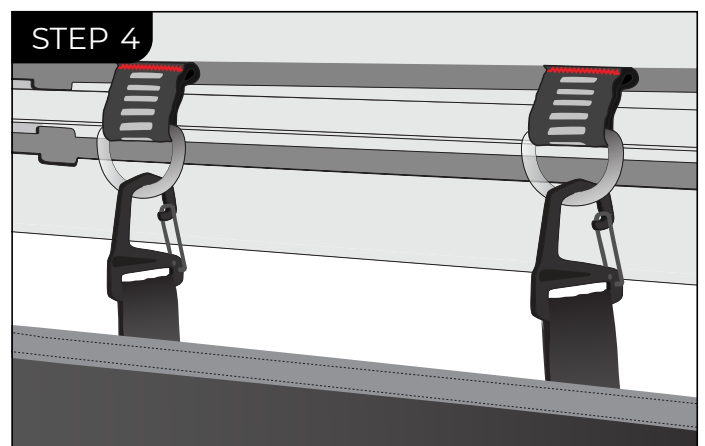
Insert the T-slot loop into the groove of the top frame.



Make sure that the red bar-tack on the loop is pointing up.



Move it to the position that you want to hang things up.



Once it is in place, you can hang up other items such as shoe bags.

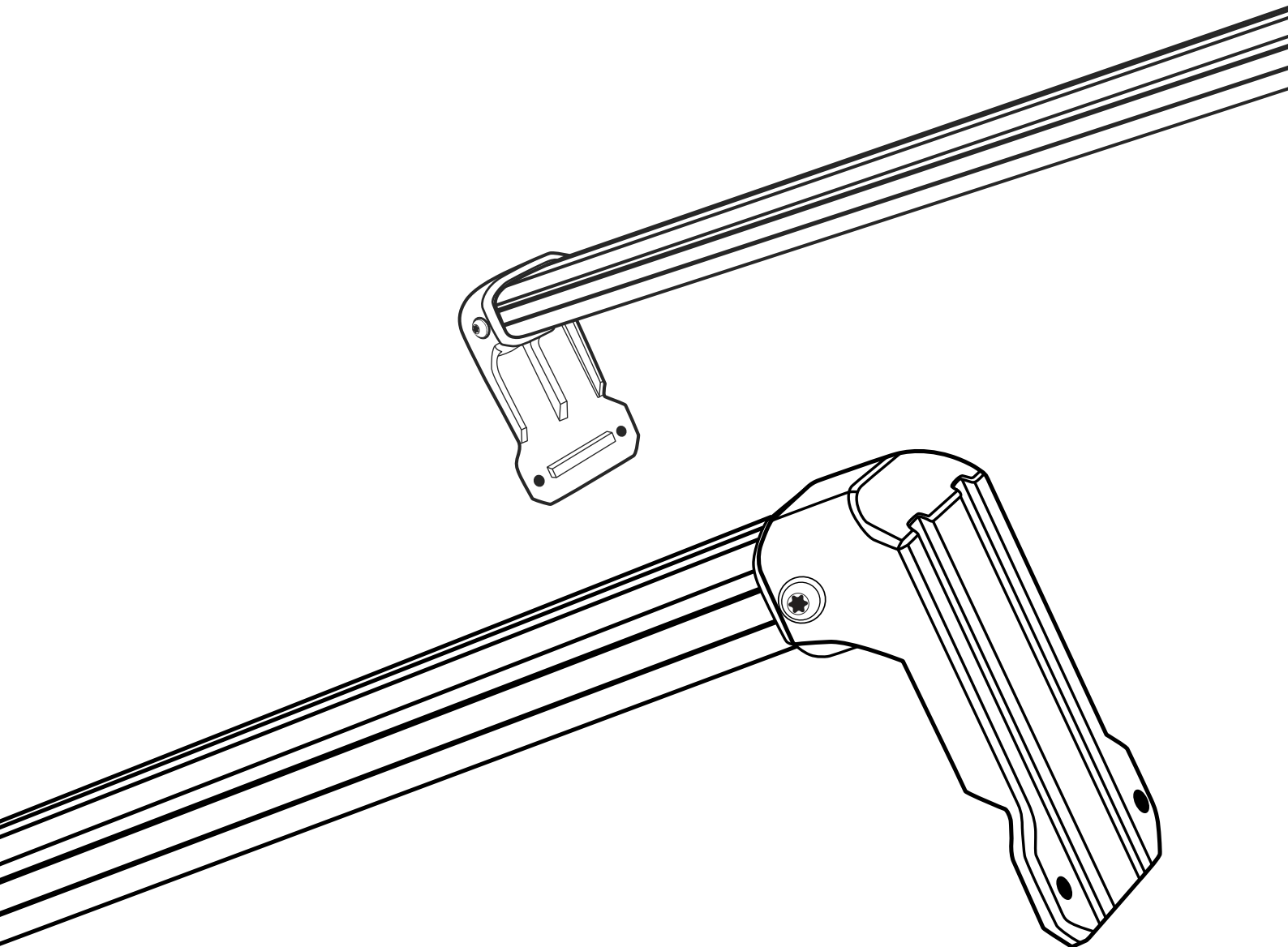
Note: Item can be forcefully pushed into slot, including in non-slot-cut areas.

CROSS MOUNT

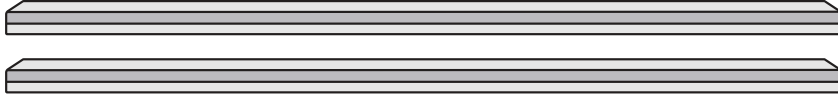
CROSS MOUNT 200 - COMPATIBLE WITH 2.0

CROSS MOUNT 250 - COMPATIBLE WITH 2.5

CROSS MOUNT 300 - COMPATIBLE WITH 3.0



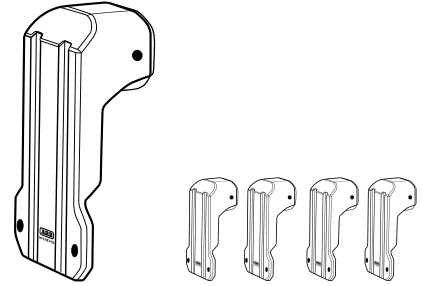
COMPONENTS



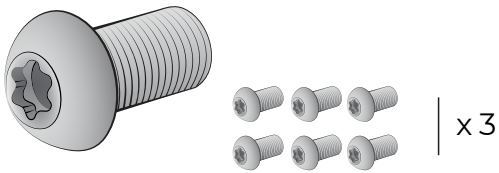
1. Top cross bar



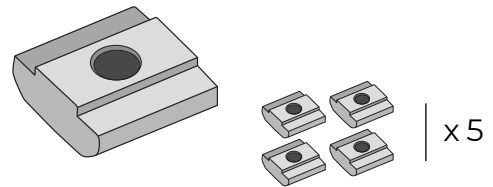
2. Torx plus T30 IP wrench



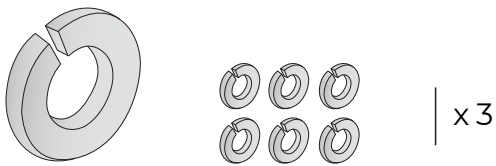
5. Side bracket



3. M6 bolt torx head:



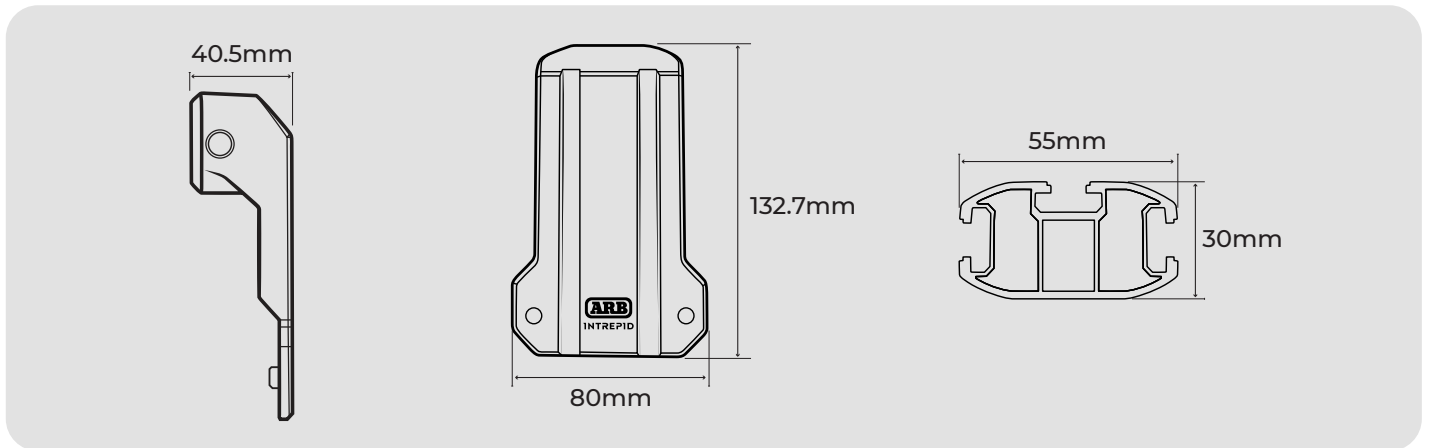
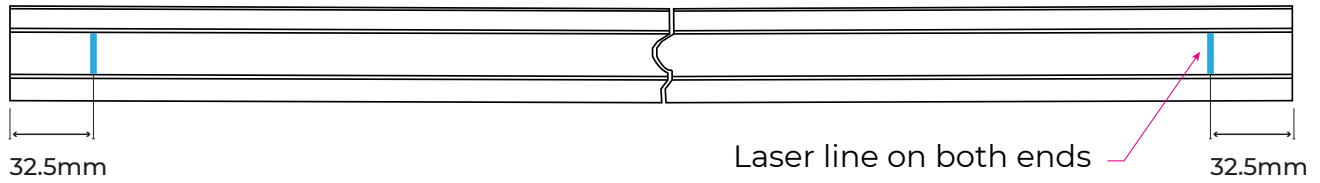
6. M6 T-nut



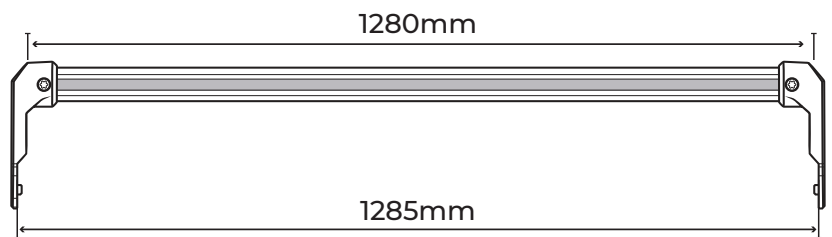
4. Spring washer

DIMENSION

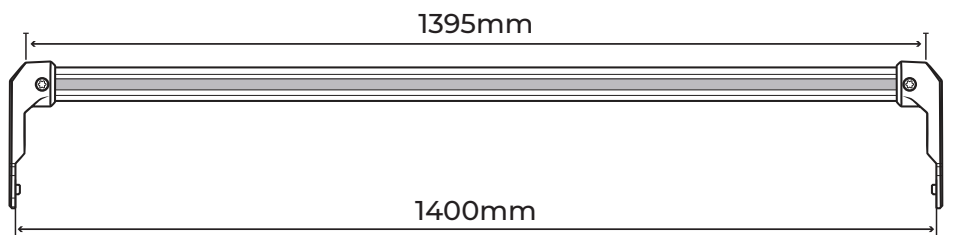
Two indication lines have been etched on both ends of the top crossbar to make sure that side brackets are fully inserted when mounting. Lines should not be visible after assembly.



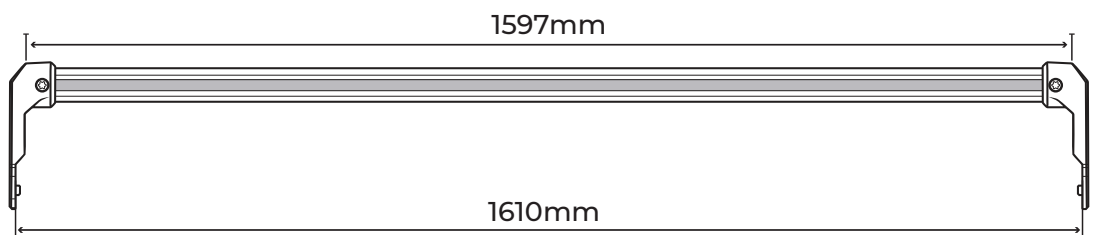
Cross mount 200



Cross mount 250

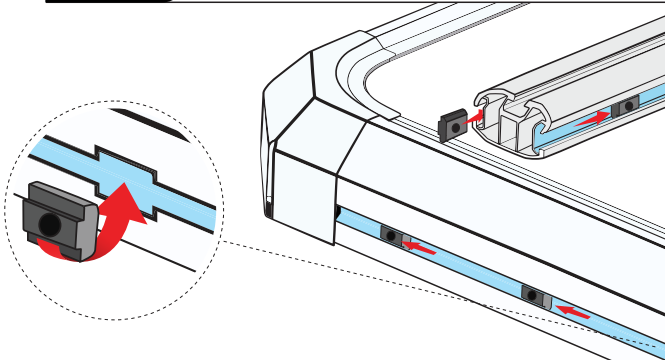


Cross mount 300



INSTALLING THE CROSS MOUNT RTT

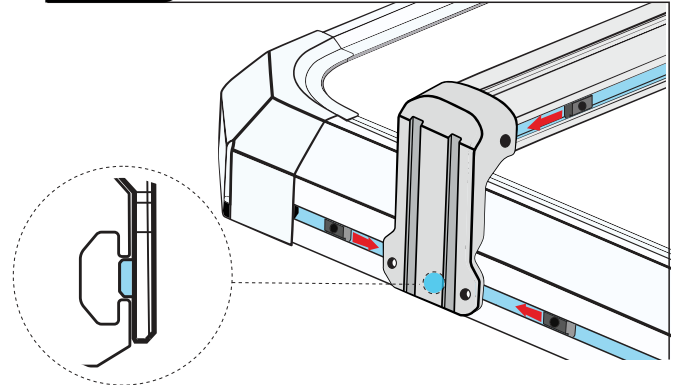
STEP 1 T-NUTS INSERTION



Insert x2 T-Nuts into the groove of the top frame where you want to install the Top Crossbar Side Bracket.

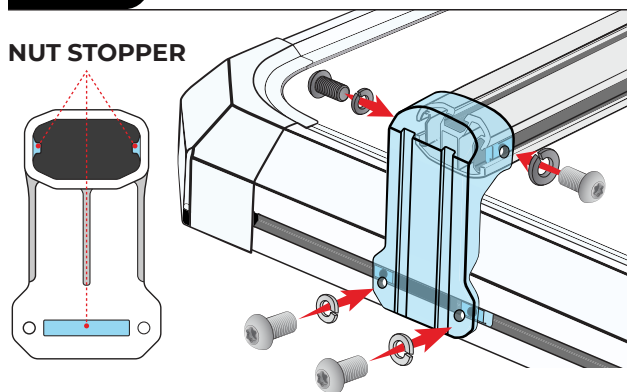
Insert x2 T-Nuts into the groove of the Top Crossbar.

STEP 2 CROSSBAR & SIDE BRACKET ASSEMBLY



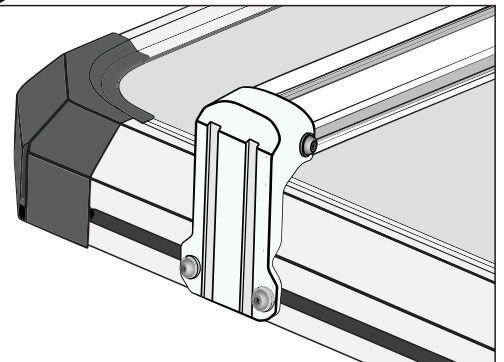
After mounting the side bracket to the crossbar, adjust x2 bolts and x2 washers as the picture shows, then tighten it into the T-nut.

STEP 3 ASSEMBLY TO FRAME



Insert x2 bolts and x2 washers into the groove of the top frame as the picture shows, then tighten it.

STEP 4 ASSEMBLY



To ensure that the crossbar is stable enough for you to attach the other side, we recommend attaching one side first.

We are not perfect, but we strive to be the best. Your feedback and improvement ideas will help us to reach this goal. Follow the setup instructions to get started, and if you need any help along the way, email us at **ARB.com.au**

JOIN THE ADVENTURE COMMUNITY





ARB.com.au